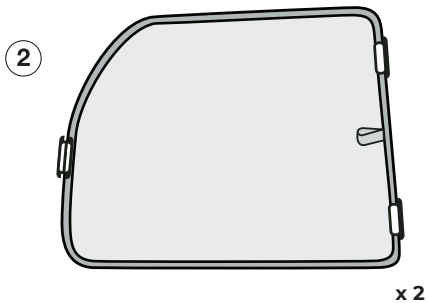
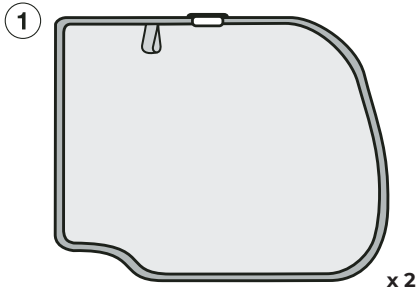


# Installation Manual

ALFA ROMEO 156 4DR  
AR-156-4-A



## COMPONENTS INCLUDED



## FIXING CLIPS



CL-P01 x 2



CL-P02 x 6



CL-W01 x 1

**CAR**  
SHADES

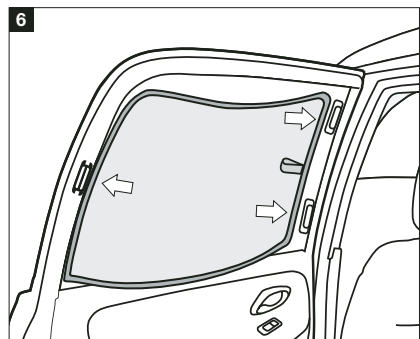
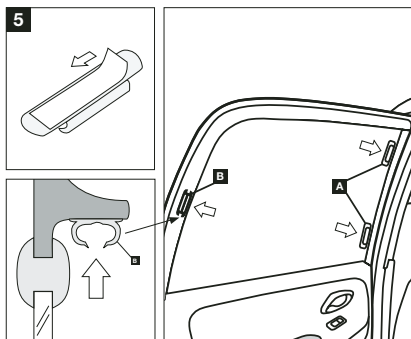
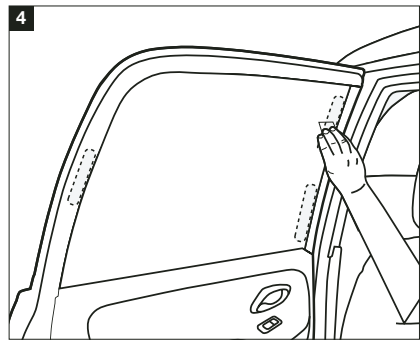
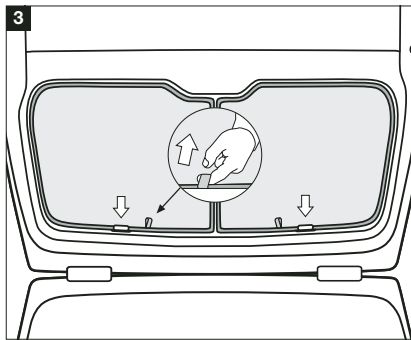
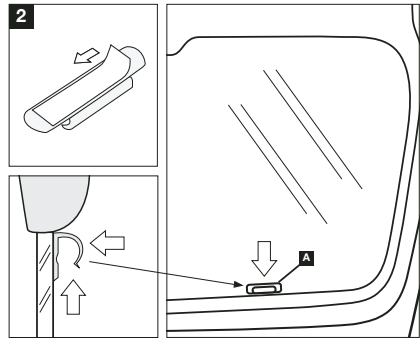
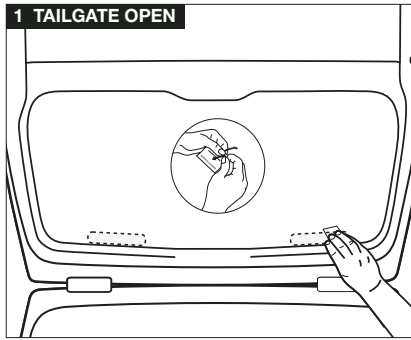
# Installation

ALFA ROMEO 156 4DR

AR-156-4-A



## SIDE & TAILGATE SHADE INSTALLATION



### WARNING:

Read these fitting instructions carefully before you start the installation. Rear passenger windows must not be lowered more than 1/3 whilst the blinds are fitted and the vehicle is in motion. On installation care must be taken not to scratch any paintwork with clips.

