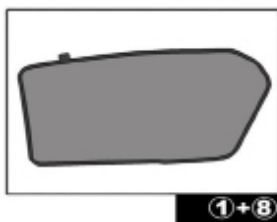


Installation Manual

HONDA ACCORD ESTATE
HON-ACCO-E-B-18



COMPONENTS INCLUDED



CL-P01 x 8



CL-W01 x 1



Installation

HONDA ACCORD ESTATE
HON-ACCO-E-B-18



WARNING

- ✦ Read these fitting instructions carefully before you start the installation.
- ✦ On installation care must be taken not to scratch any paintwork with clips.
- ✦ Rear passenger windows must be closed whilst the sun blinds are fitted and the vehicle is in motion.

ATTENTION

- ✦ Lisez attentivement ces instructions de montage avant de commencer l'installation.
- ✦ Lors de l'installation, veillez à ne pas griffer la peinture avec des attaches.
- ✦ La vitre côté passager arrière doit être fermée pendant la fixation des pare-soleil, quand le véhicule est en mouvement.

WARNUNG

- ✦ Lesen Sie diese Montageanleitungen sorgfältig, bevor Sie mit der Montage beginnen.
- ✦ Bei der Montage muss darauf geachtet werden, dass der Lack nicht mit den Klemmen zerkratzt wird.
- ✦ Heckfenster müssen geschlossen werden, während die Sonnenblenden montiert werden, und sich das Fahrzeug bewegt.

WAARSCHUWING

- ✦ Lees deze montagehandleiding aandachtig alvorens met de montage te beginnen.
- ✦ Zorg ervoor dat u bij de montage de lak niet schendt met de clips.
- ✦ De vensters van de achterportieren moeten dicht blijven wanneer er zonnecleppen gemonteerd zijn en het voertuig in beweging is.

ATTENZIONE

- ✦ Leggere attentamente le presenti istruzioni di montaggio prima di iniziare l'installazione.
- ✦ Nel corso dell'installazione si avrà cura di non graffiare la vernice con le clip.
- ✦ I finestrini posteriori rimarranno chiusi se sono montati i parasole ed il veicolo è in movimento.

ATENCIÓN

- ✦ Lea atentamente estas instrucciones de colocación antes de comenzar la instalación.
- ✦ Durante la instalación se debe tener cuidado de no rayar la pintura con los clips.
- ✦ Las ventanas traseras se deben cerrar mientras se ajustan las persianas y el vehículo está en movimiento.

AVISO

- ✦ Leia com atenção estas instruções de colocação antes de você iniciar a instalação.
- ✦ Tenha cuidado ao instalar para não riscar nenhuma pintura com os cliques.
- ✦ As janelas traseiras do passageiro deverá ser fechada enquanto os protetores contra o sol estiverem colocados e o veículo estiver em movimento.

WARNING

- ✦ Läs dessa monteringsanvisningar noga innan du börjar montera.

Installation

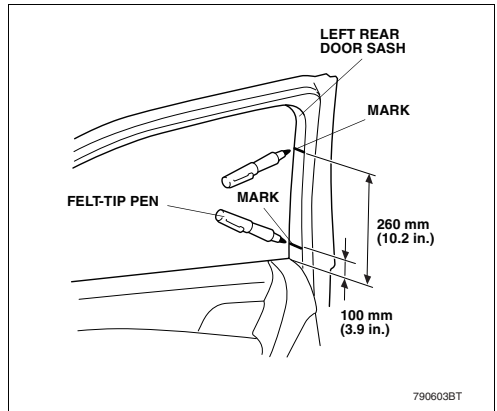
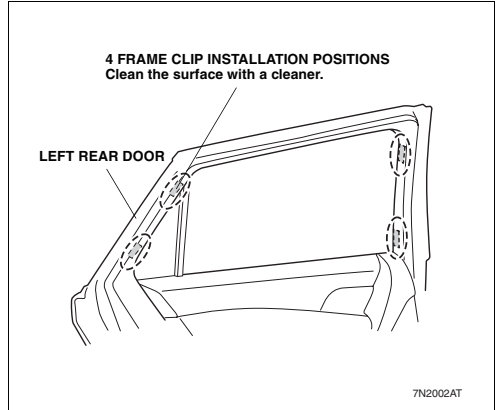
HONDA ACCORD ESTATE
HON-ACCO-E-B-18



Installation

Installing the Side Sunshade

1. Open the left rear door.
2. Check the positions where the frame clips are installed and clean the surfaces with the cleaner provided from the kit.
3. Using a felt-tip pen, make two marks in the positions shown.

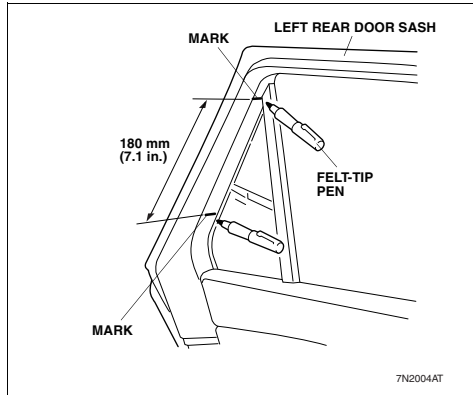


Installation

HONDA ACCORD ESTATE
HON-ACCO-E-B-18



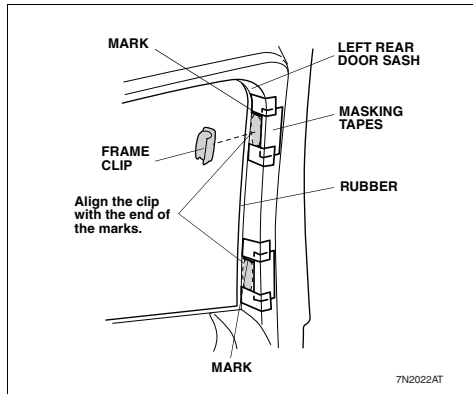
4. Using a felt-tip pen, make two marks in the positions shown.



5. Temporarily position the frame clip on the left rear door sash aligning the end of the frame clip with the marks you made in step 3 and attach the pieces of masking tape as shown.



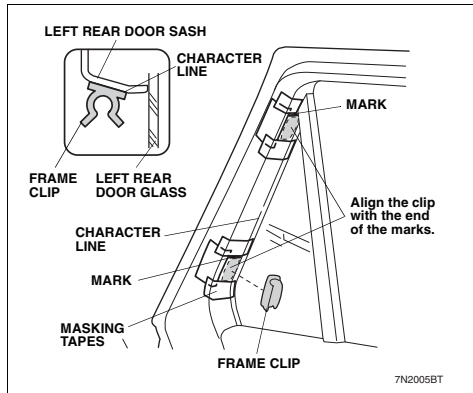
CL-P01



6. Temporarily position the frame clip on the left rear door sash aligning the end of the frame clip with the marks you made in step 4 and attach the pieces of masking tape as shown.



CL-P01

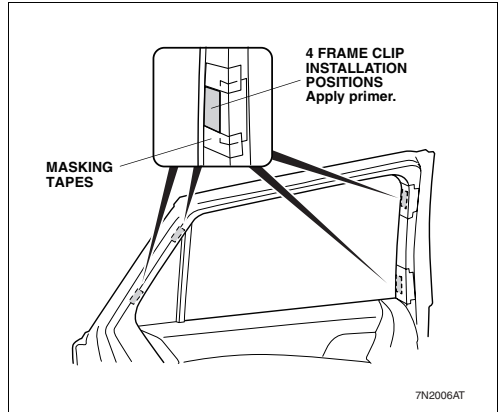


Installation

HONDA ACCORD ESTATE
HON-ACCO-E-B-18



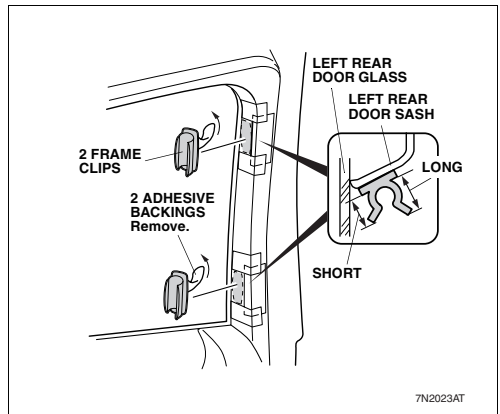
7. Apply primer to the parts of the door sash enclosed with the masking tapes and let it dry thoroughly.



8. Remove the adhesive backing from each frame clip to install in the positions shown.
 - Note the installation direction of the frame clips.



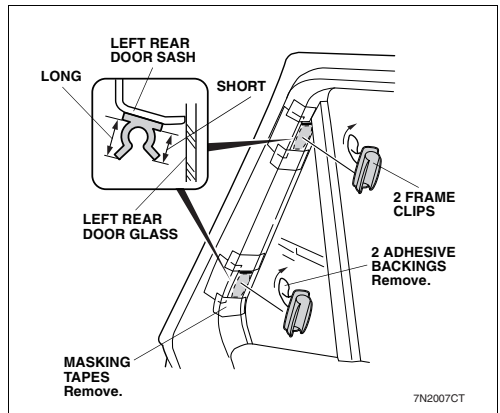
CL-P01



9. Remove the adhesive backing from each frame clip to install in the positions shown.
 - Note the installation direction of the frame clips.
10. Remove the masking tapes.
11. Erase the marks.



CL-P01



Installation

HONDA ACCORD ESTATE

HON-ACCO-E-B-18



12. Install the side sunshade on the four frame clips in the numbered sequence of **1** through **4**.
13. Repeat the same work on the other side.

