

ASSEMBLY INSTRUCTIONS

MULTICAGE

double



IMPORTANT

GENERAL

MultiCage is made for transport of dogs in vehicle. The cage is made of splinter proof and energy absorbing materials.

It has undergone rigorous crash tests it's design-protected and made of galvanized steel painted with a very weather-resistant polyurethane paint suitable for its use. the design reduces the risk of injury and the choice of material eliminates the risk of splitting damage and gives the cage its energy absorbing characteristics. the product comes with ratchets and anchoring hooks with quick lock to simplify the installation in the vehicle. Practical retractable lifting handles and lockable door with gas spring helps holding the door open when needed.

BEFORE YOU BEGIN

Ensure that you work on a flat surface. If the cage is assembled indoor protect the floor with a blanket or carpet to avoid damaged during assembly.

Read the instruction carefully before you begin, it gives you a better understanding when you work step by step during the assembly.

You can assemble the cage by yourself but it helps a lot to be two during some of the assembly steps.

RECOMMENDED AREA OF USE

MultiCage is suitable for transport vehicles, motorhomes, vans and pickups with proper cargo loops. It's not intended to be installed behind the rear seat in a station waggon.

If the cage is installed behind the rear seat in a VAN, make sure you don't interfere with the vehicles deformation zone.

CRASH TEST

This model is crash tested at **Rise Research Institutes of Sweden AB** Frontal Impact test of a Multi Cage dog crate according to ECE Regulation No. 17

Test protocol is available from the manufacture on request.

DAILY INSPECTION

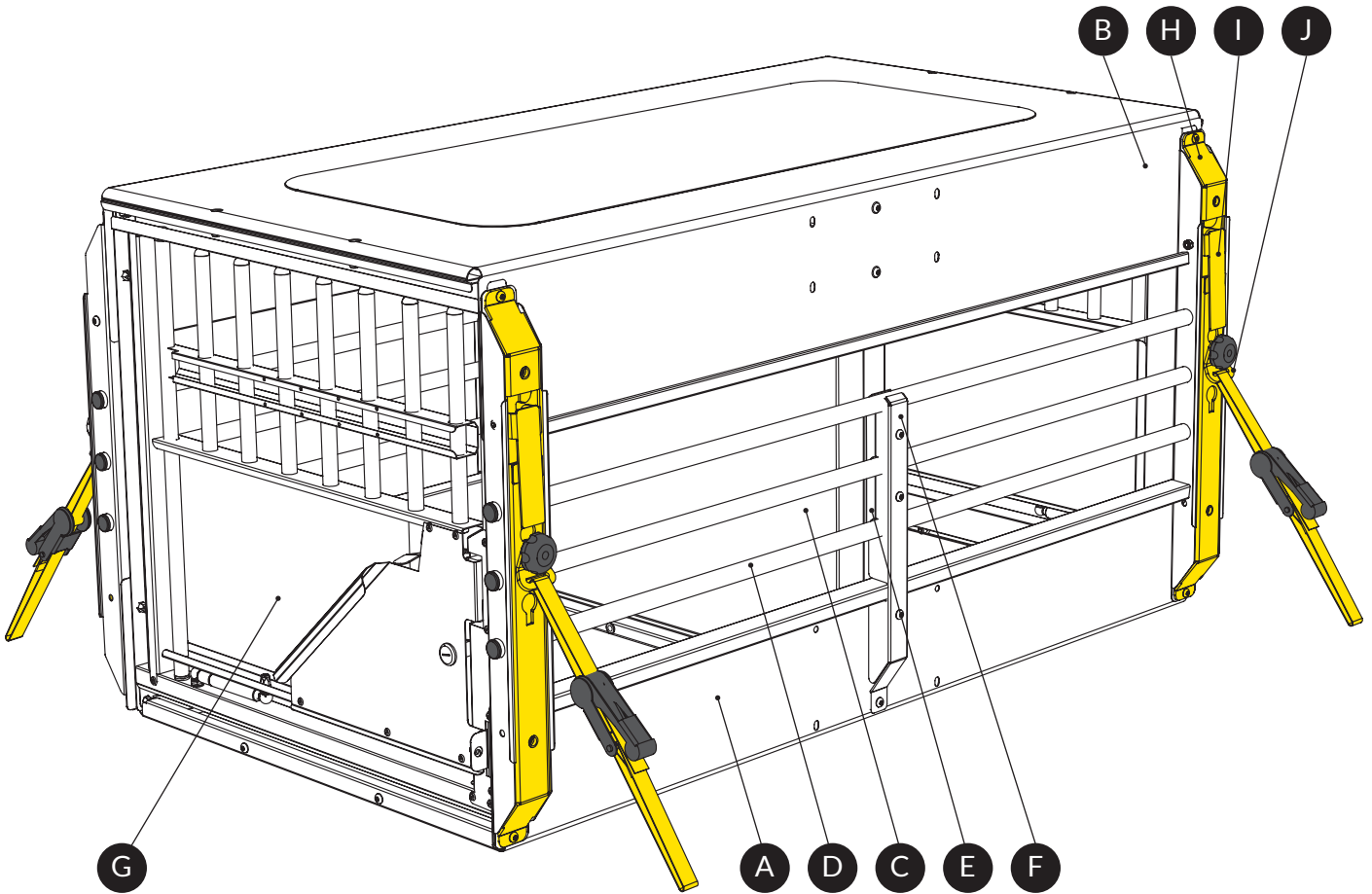
- Make sure the dog cage is intact
- That there is no sharp edges
- That the door lock works
- Check that it is attached to the vehicle's cargo loops

CLEANING

Use a soft cloth with wather and mild soap.

The story of MIMsafe

For more than 30 years, MIMsafe has worked with functional design and manufacturing of safety products for the modern automotive industry. With documentation from hundreds of crash tests and in close collaboration with the major car manufacturers, safe products have been developed and transformed into knowledge. Under the well-known brand name MIMsafe, we have become the leading manufacturer of crash tested and crush proofed non-whiplash dog cages all over the world.



BAG

<p>M-SM6x14IA 28X</p>	<p>IKP1915-17S 6254C - 8X 6260C - 12X 6275C - 20X</p> <p>plastic end caps</p>	<p>M-10520 4X</p>
---------------------------	---	-----------------------

INCLUDED TOOLS

<p>ALLEN KEY DRIVER 1X</p>	<p>Combination spanner 1X</p>
--------------------------------	-----------------------------------

<p>M-SM6x55-IK 4X</p>	<p>M-MM6NyS 4X</p>	<p>M-460641D 4X</p> <p>rubber</p>
---------------------------	------------------------	---------------------------------------

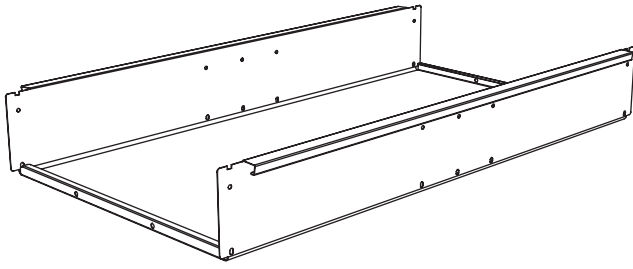
BAG

<p>M-VBM6x45FZB 6X</p>	<p>M-VBM6x12FZB 2X</p>	<p>M-BR6,4x12x1S 8X</p>	<p>M-MM6MHM-6FZB 8X</p>
----------------------------	----------------------------	-----------------------------	-----------------------------

<p>M-460641I 4X</p>	<p>M-BR8x19x1,5S 4X</p>	<p>M-VBM8x20S88 4X</p>
-------------------------	-----------------------------	----------------------------

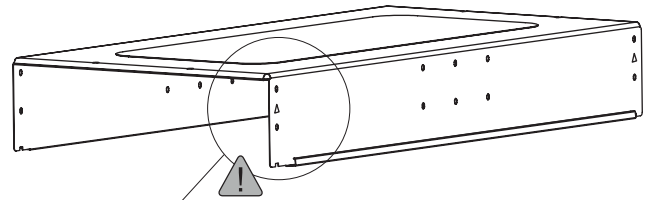
BAG

<p>M-B1687-6SLD 2X</p>	<p>M-SFF206M622S 2X</p>	<p>M-SM6x14IA 2X</p>	<p>M-SM6x45-IK 6X</p>
----------------------------	-----------------------------	--------------------------	---------------------------



A Floor

6254A 6260A 6275A	1X
Product no	No of items

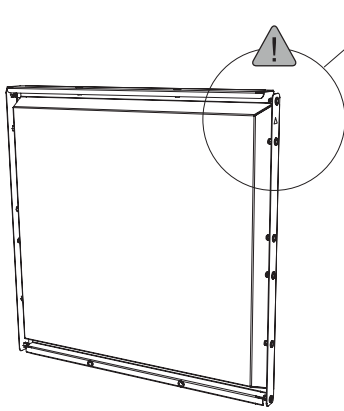


B Roof

6254E 6260E 6275E	1X
Product no	No of items

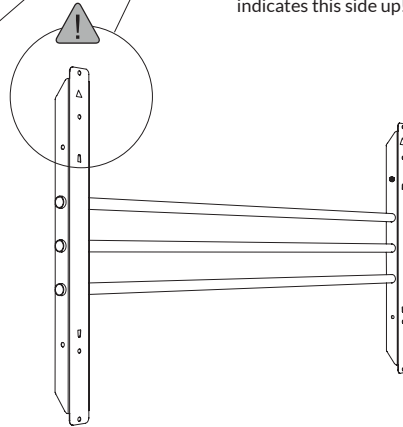


IMPORTANT
Notice the triangle mark,
indicates this side up!



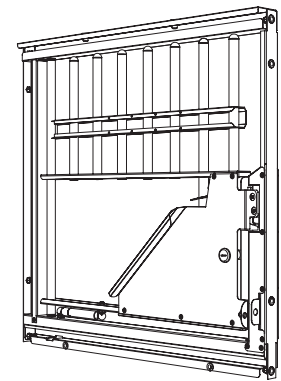
C Divider panel

6254J 6260J 6275J	1X
Product no	No of items



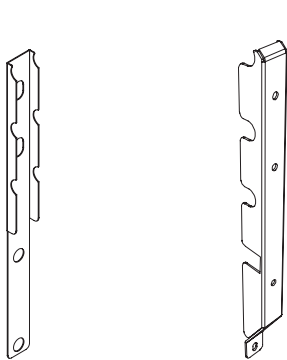
D Sidebars

6254C 6260C 6275C	2X
Product no	No of items



G Door section

6254I 6260I 6275I	2X
Product no	No of items



E Divider anchor

F Divider anchor

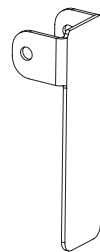
6254M 6260M 6275M	2X
Product no	No of items

6254S 6260S 6275S	2X
Product no	No of items



H Frame bar

6254N 6260N 6275N	4X
Product no	No of items



I Handle

6260P	4X
Product no	No of items



J Anchor

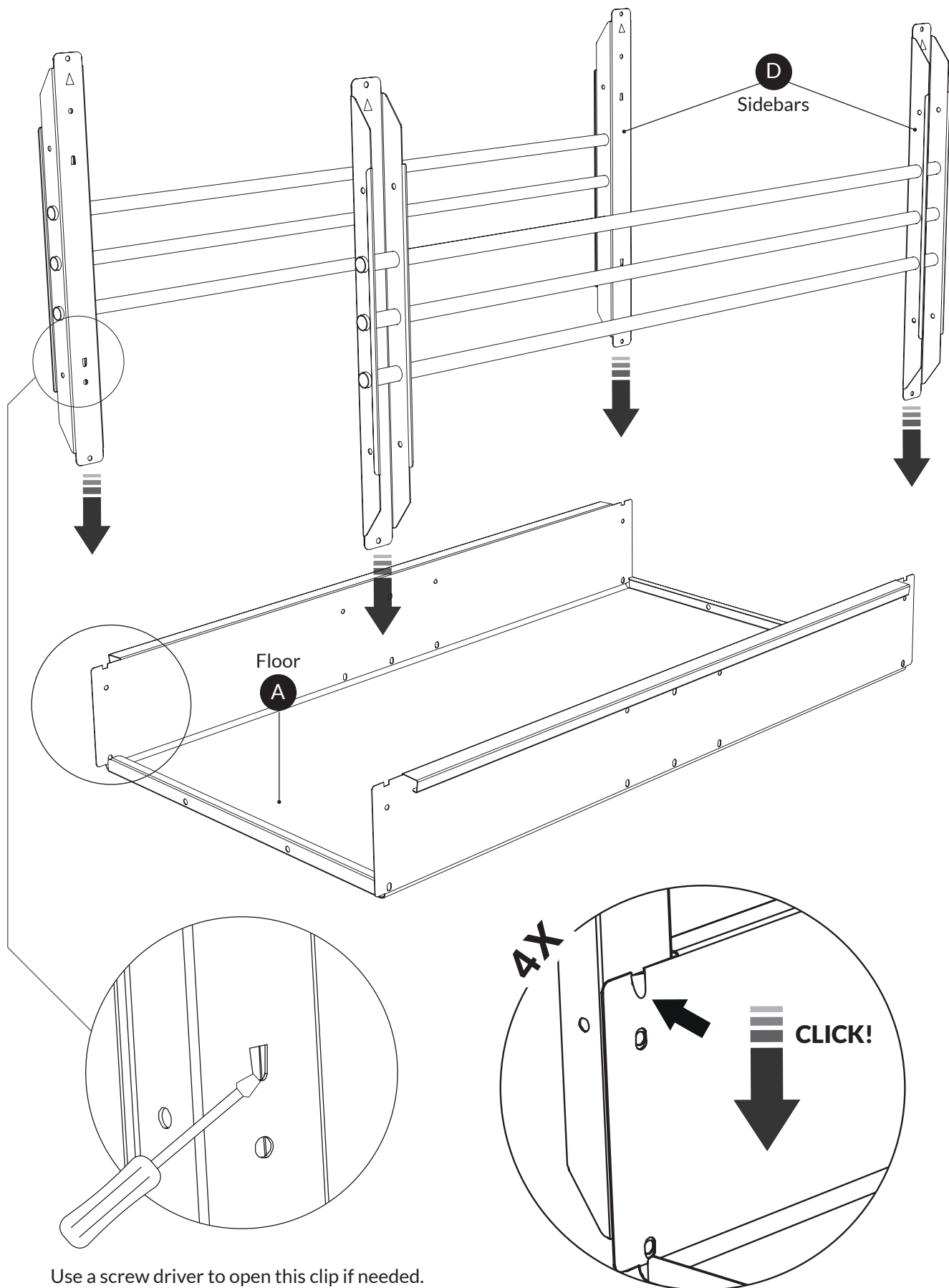
6260R	4X
Product no	No of items



K Locking plate

6254T 6260T 6275T	2X
Product no	No of items

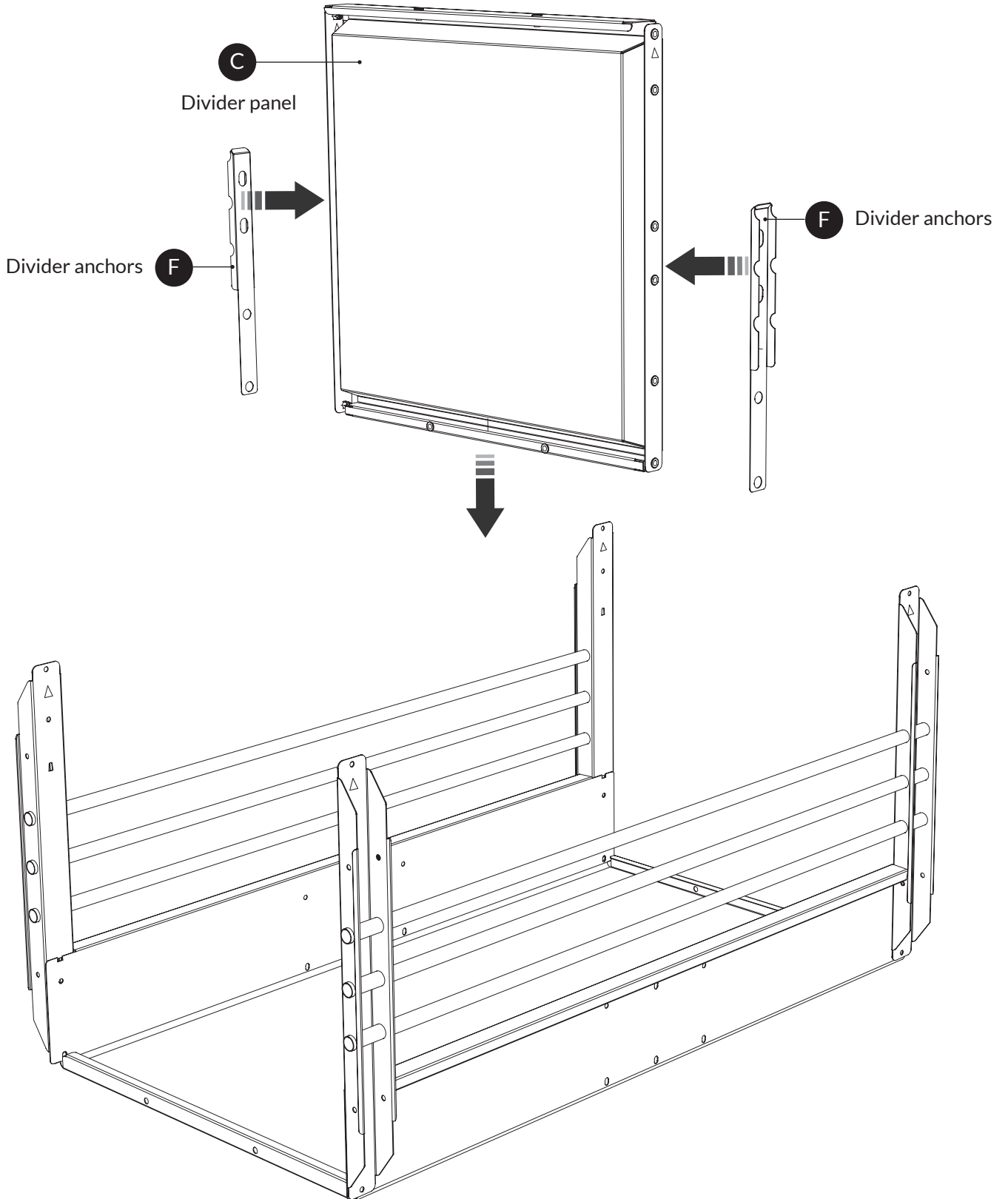
STEP
1



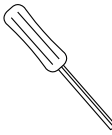


Use a screw driver to open this clip if needed.
This is only a help for assembly and have no
influence on the safety of this product.

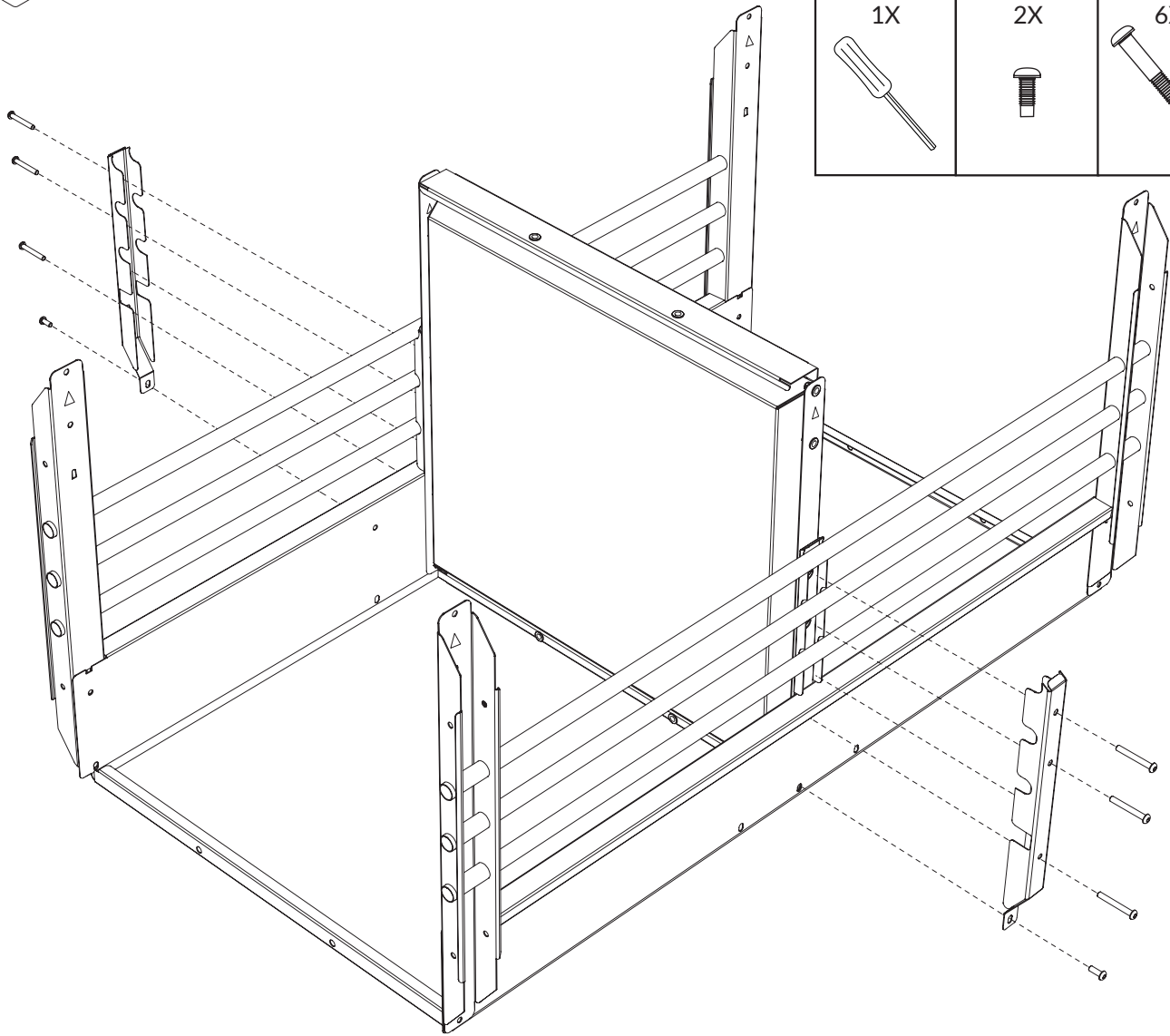
STEP
2

If you don't want to use the divider panel continue to step 5

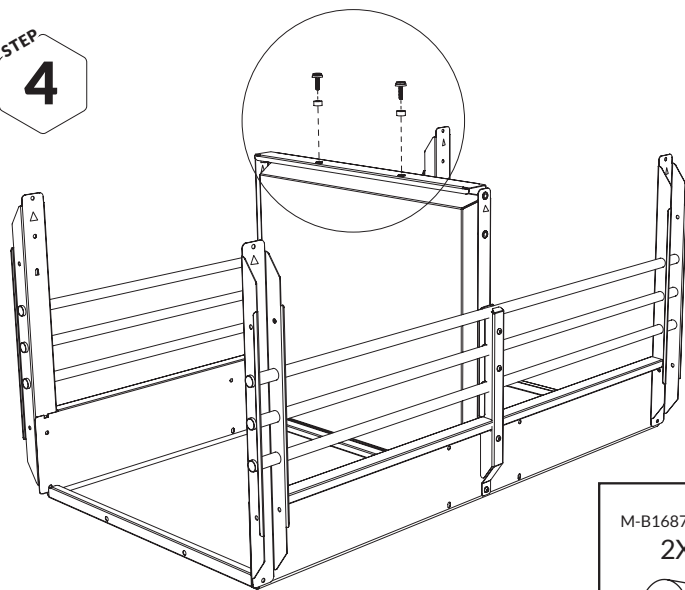
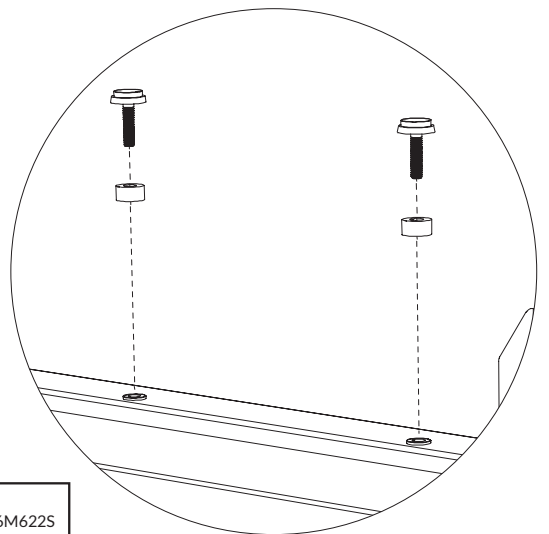


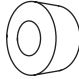
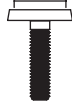
STEP
3

ALLEN KEY 4 1X 	M-SM6x14IA 2X 	M-SM6x45-IK 6X 
---	--	---




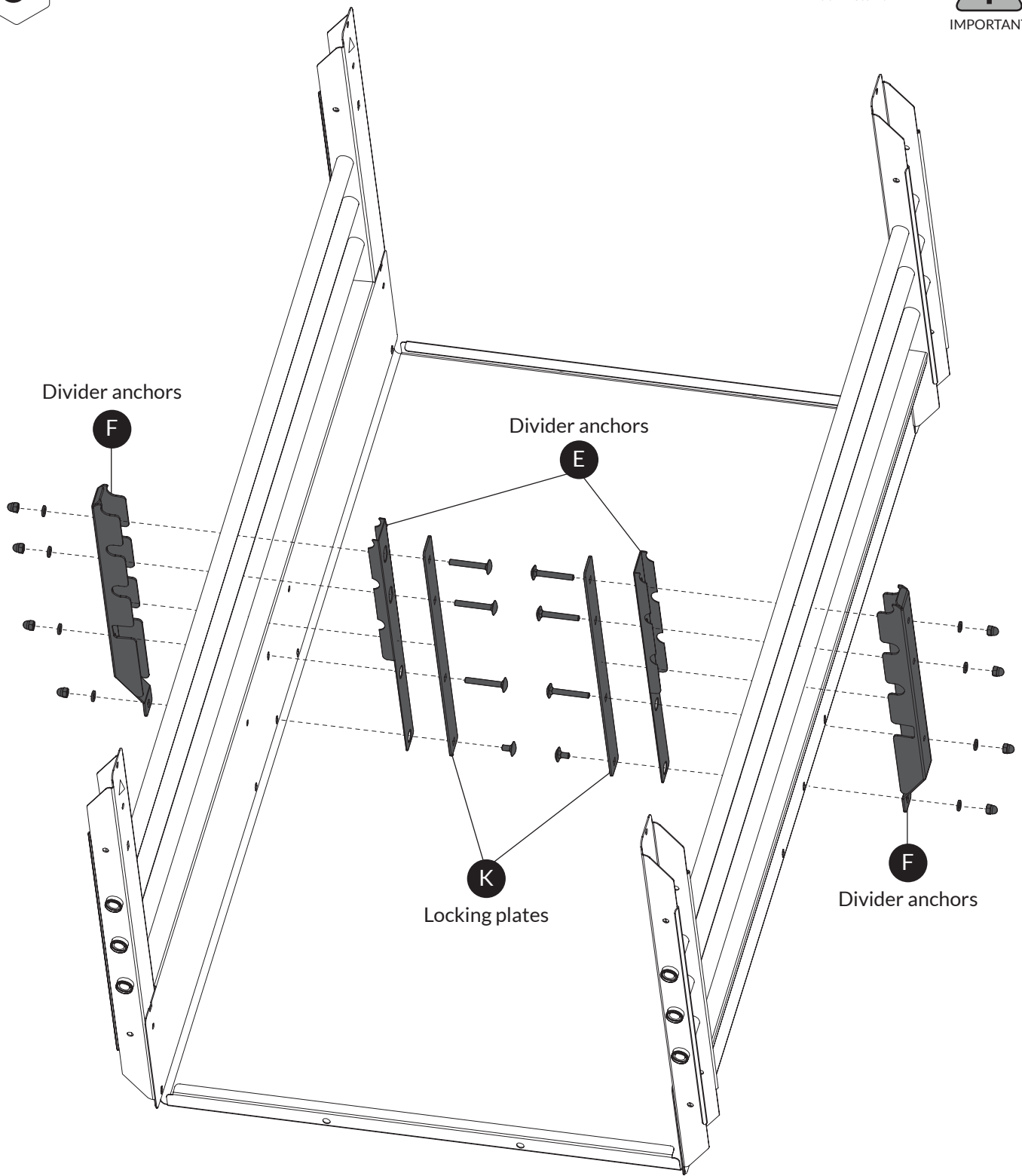
STEP
4







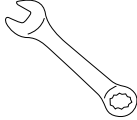
M-B1687-6SLD 2X 	M-SFF206M6225 2X 
--	---

STEP
5

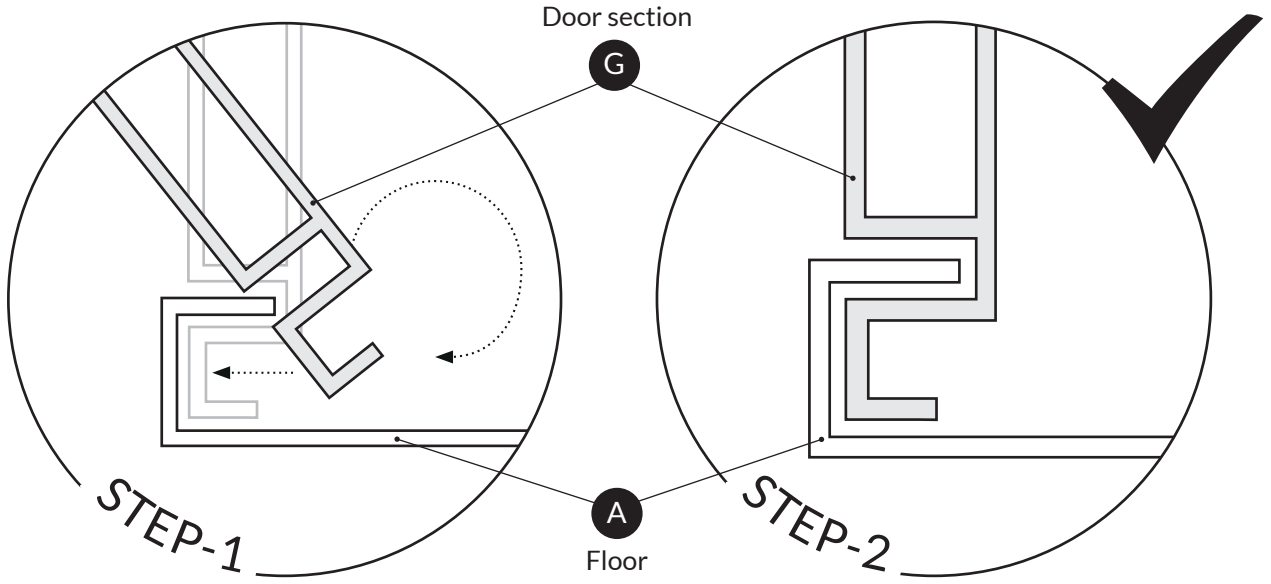
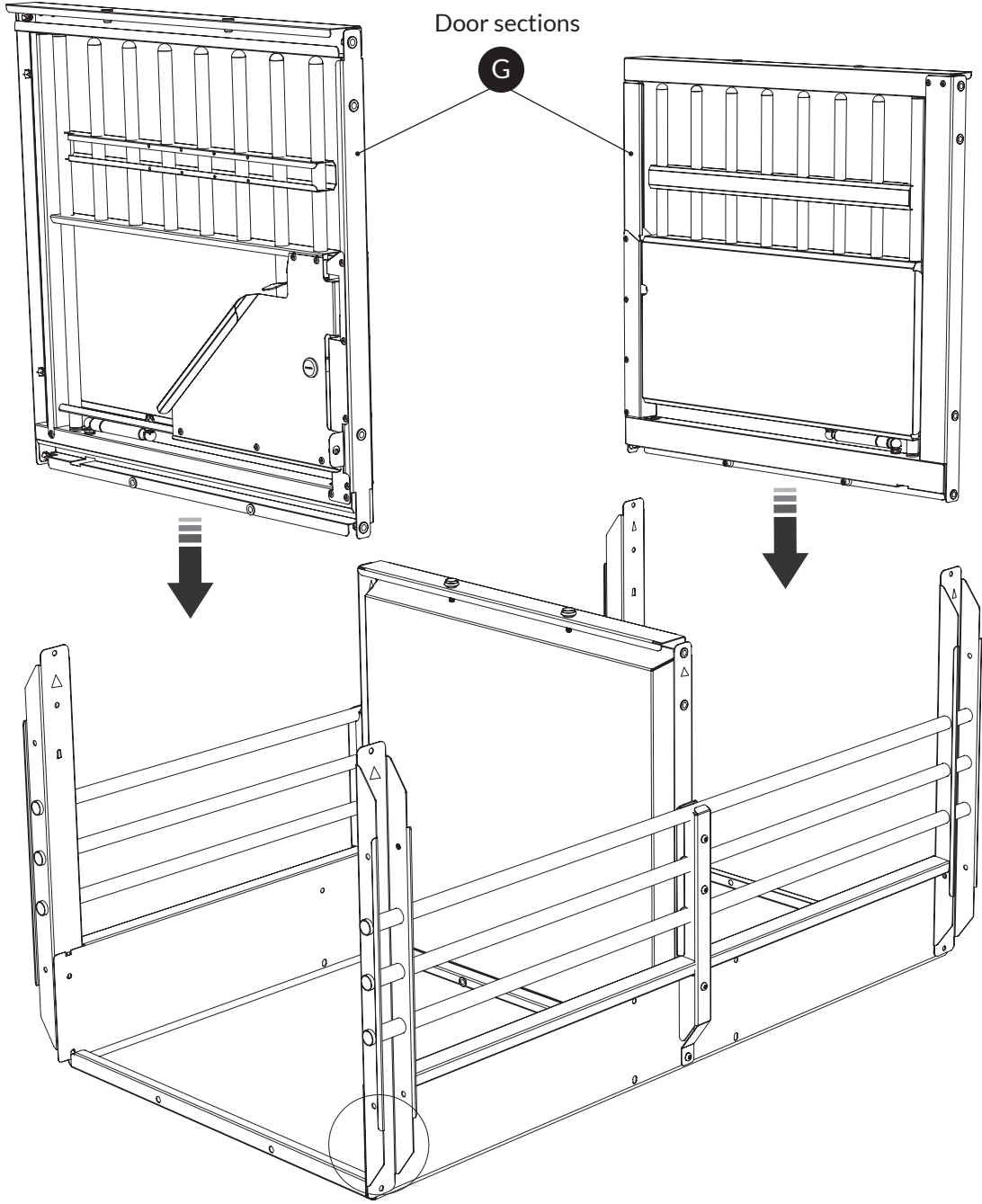
Follow this step only if you choose not to install the divider 
IMPORTANT




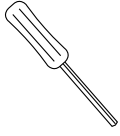
BAG

M-VBM6x45FZB 6X 	M-VBM6x12FZB 2X 	M-BR6,4x12x1S 8X 	M-MM6MHM-6FZB 8X 	Combination spanner 1X 
--	--	---	---	---

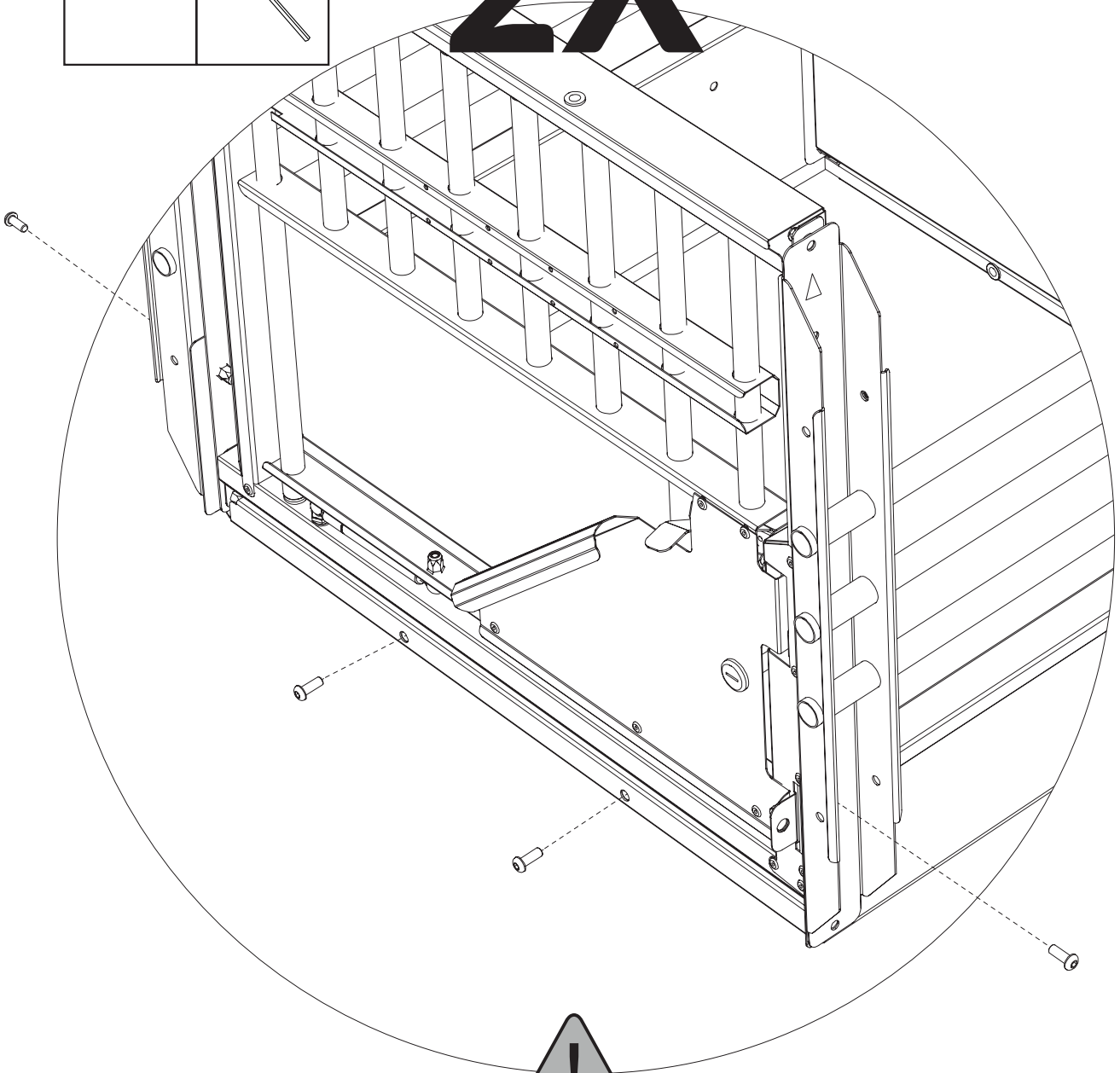
STEP
6



STEP
7

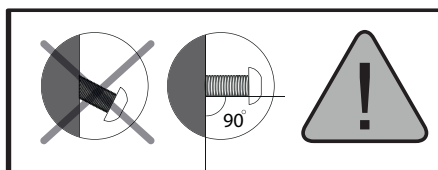
M-5M6x14IA 8X 	ALLEN KEY 4 1X 
--	---

2X

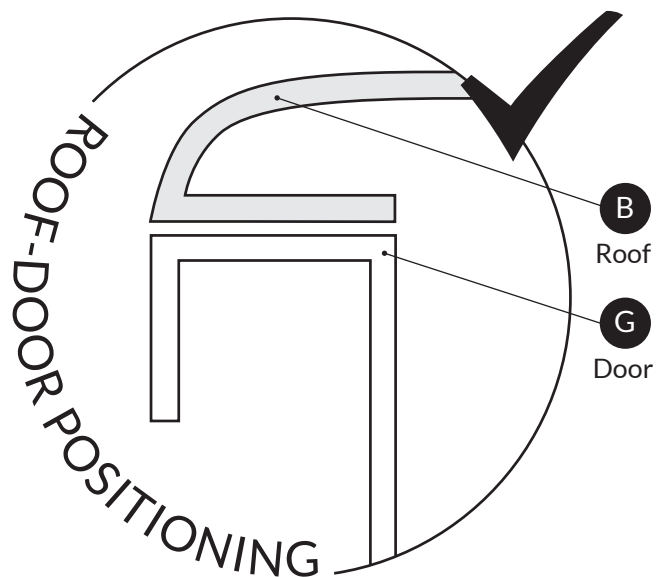
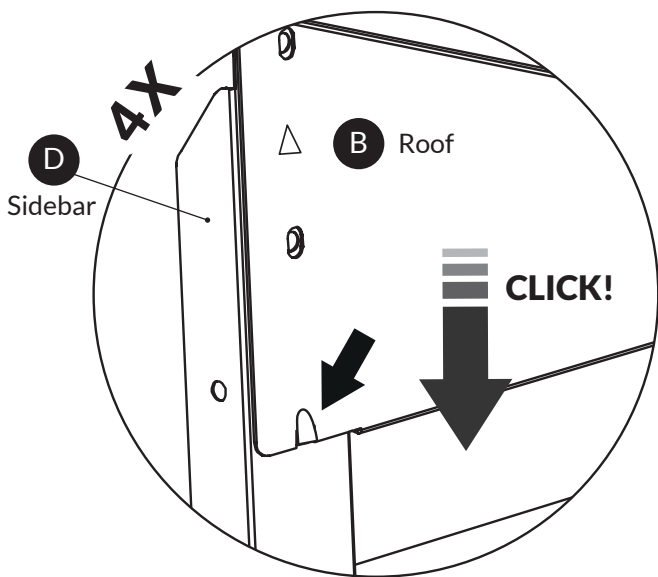
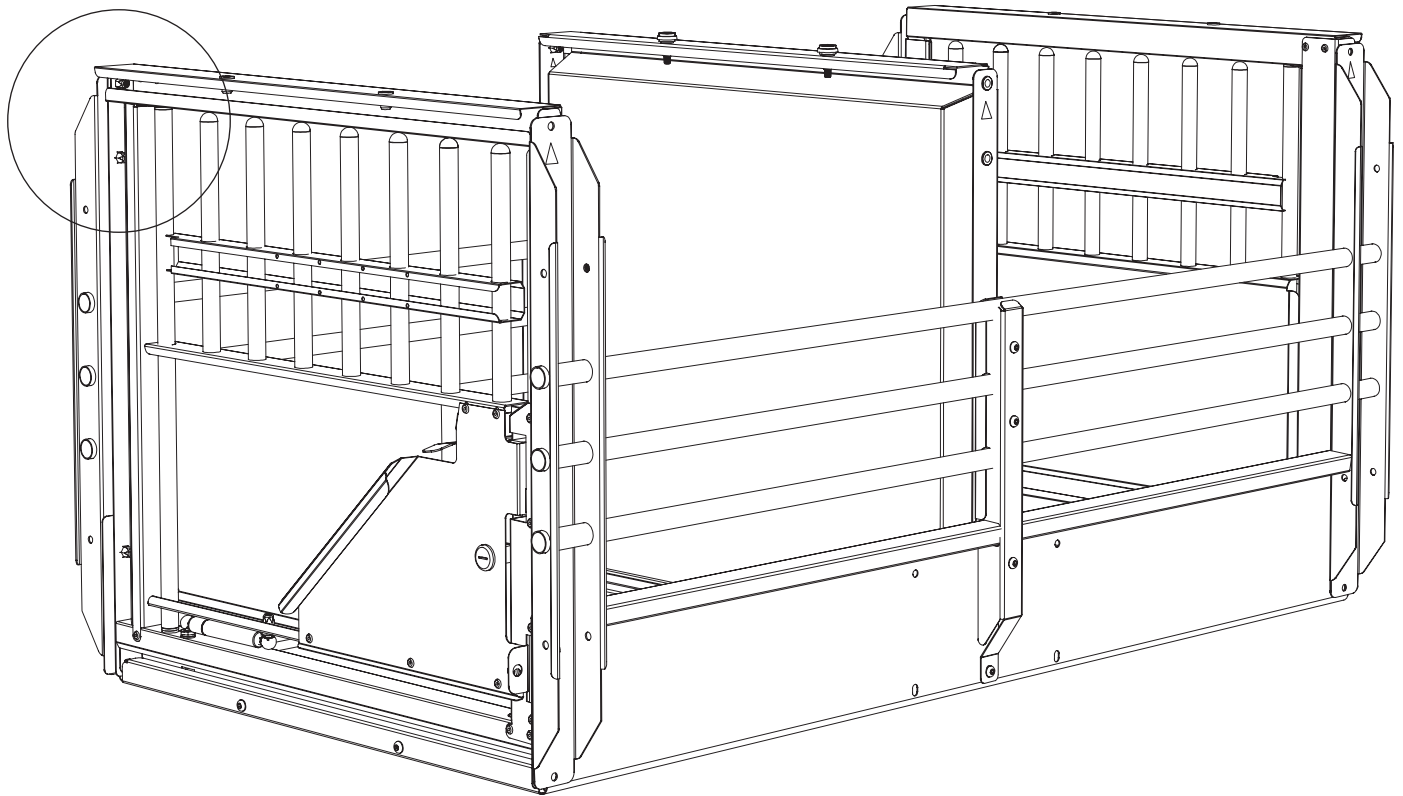
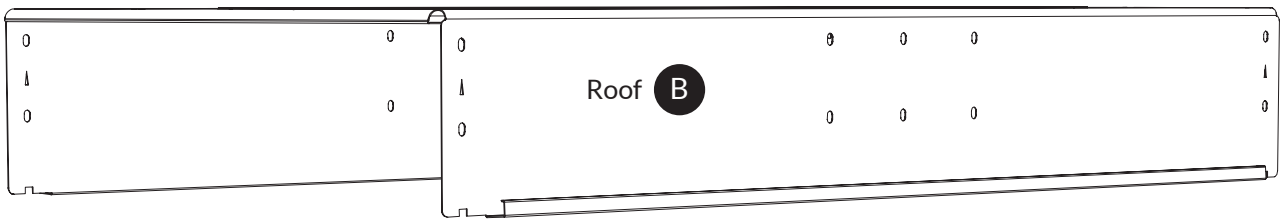


IMPORTANT

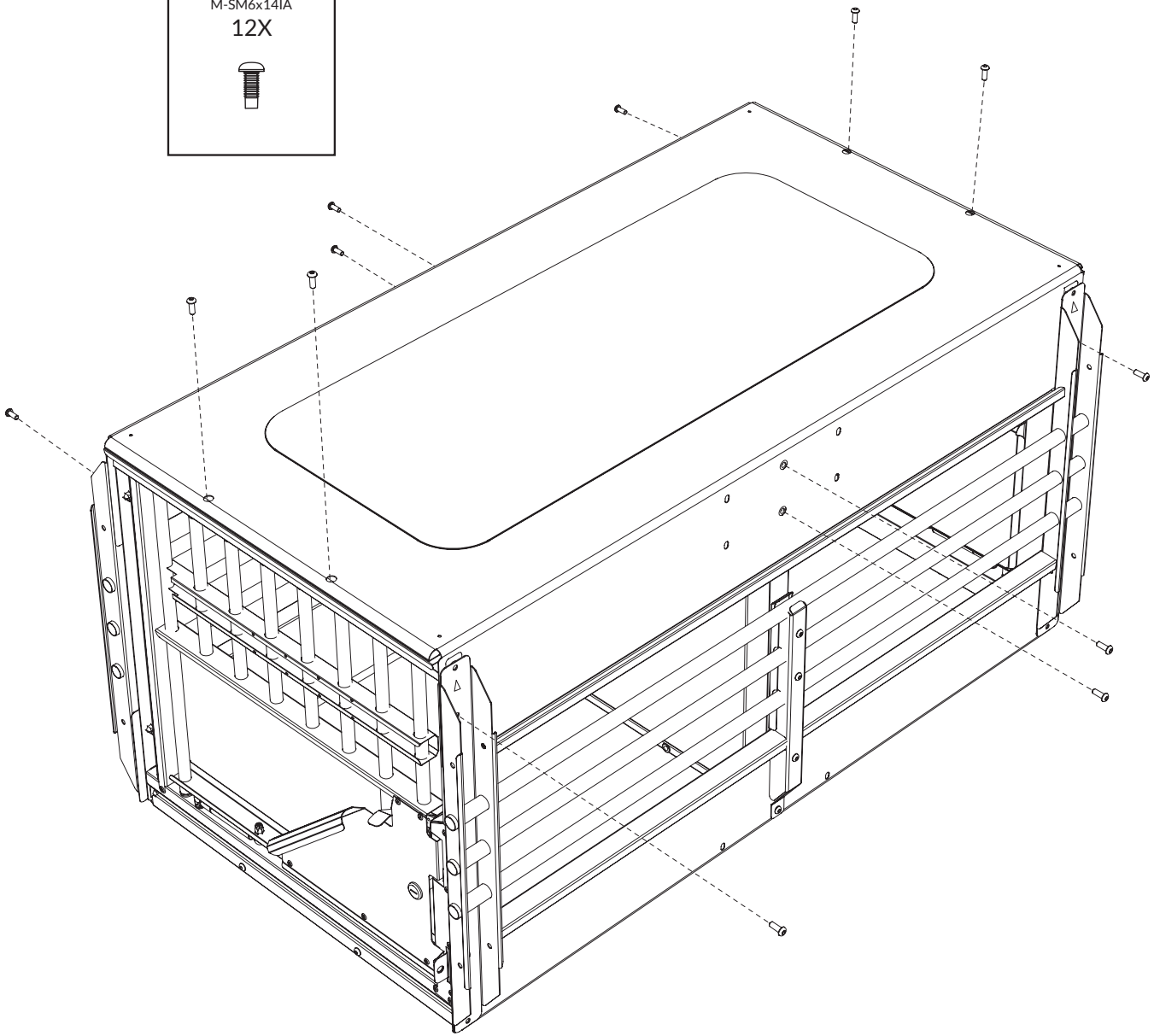
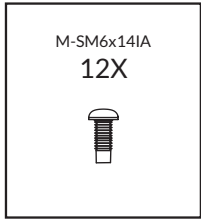
Gently insert all the screws
before tightening



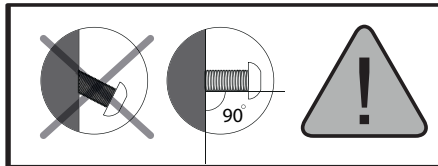
STEP
8



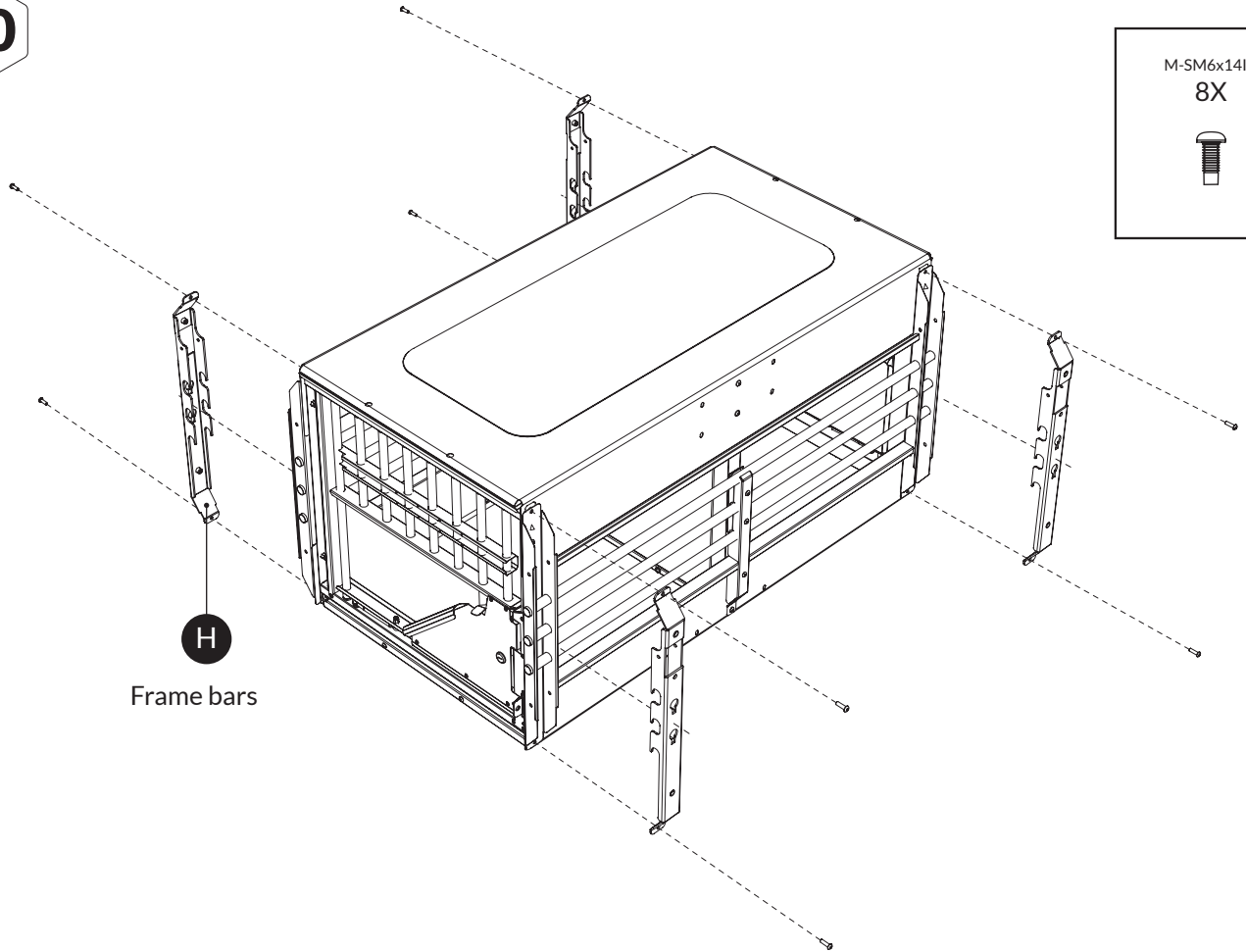
STEP
9



IMPORTANT
Gently insert all the screws
before tightening




STEP
10

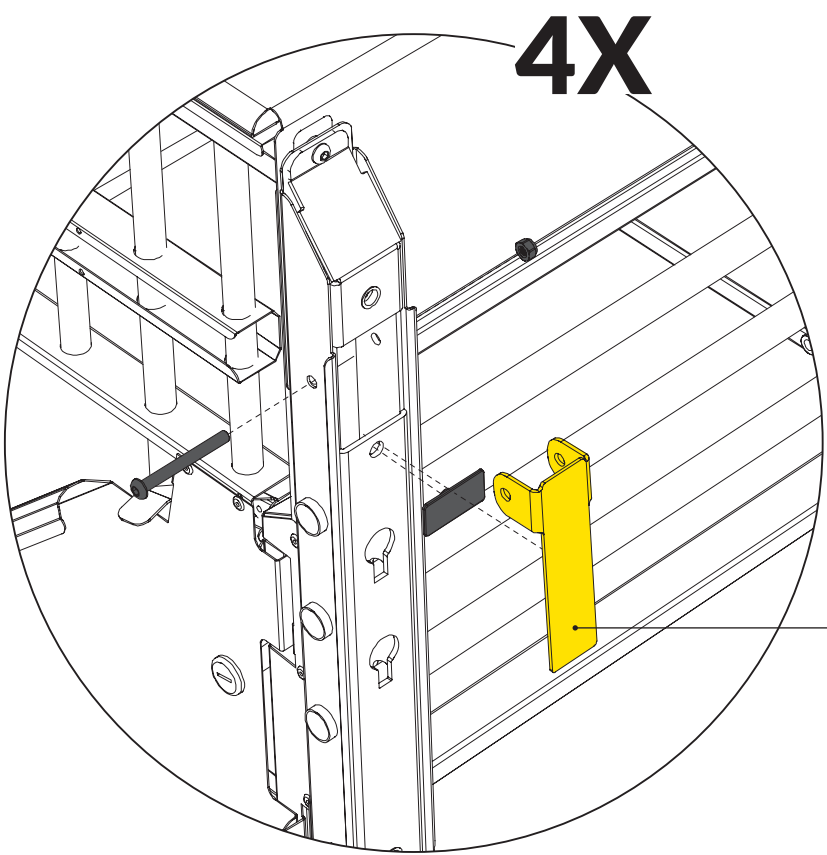


H

Frame bars

M-SM6x14IA 8X




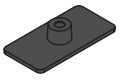
STEP
11



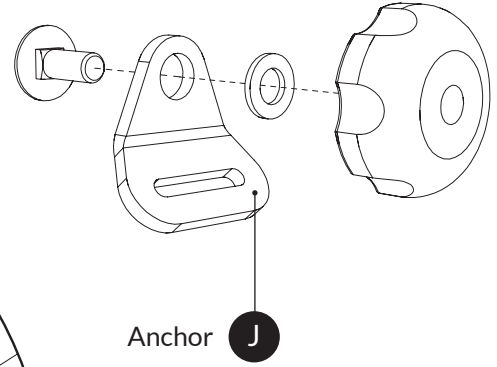
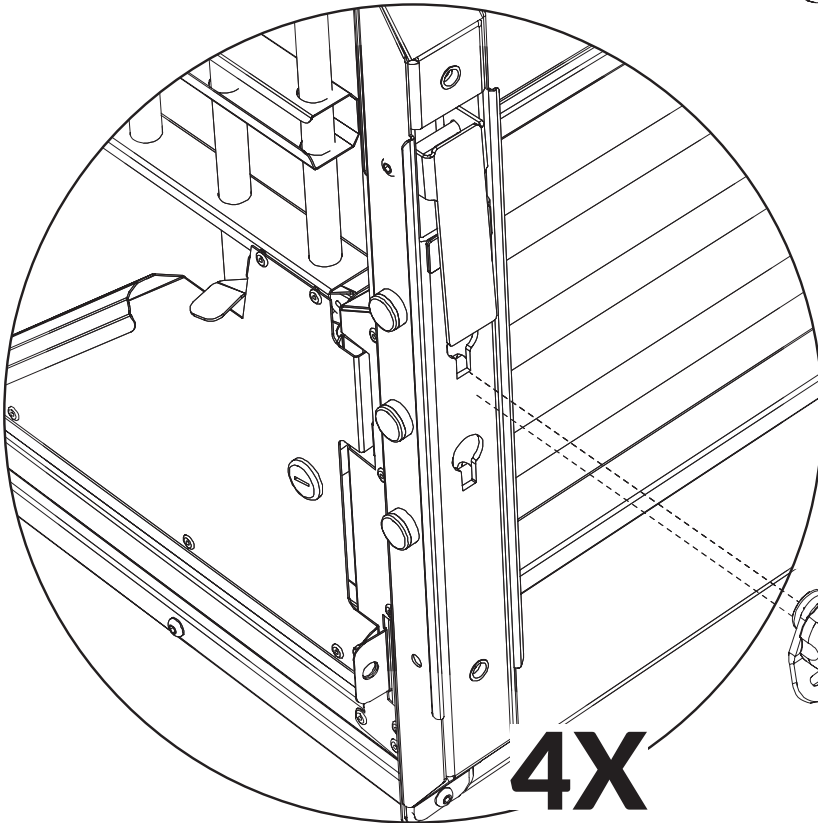
4X

H

Handle

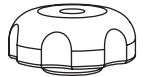
M-SM6x55-IK 4X 	M-MM6Nys 4X 
M-460641D 4X  rubber	

STEP
12



Anchor **J**

M-4606411
4X



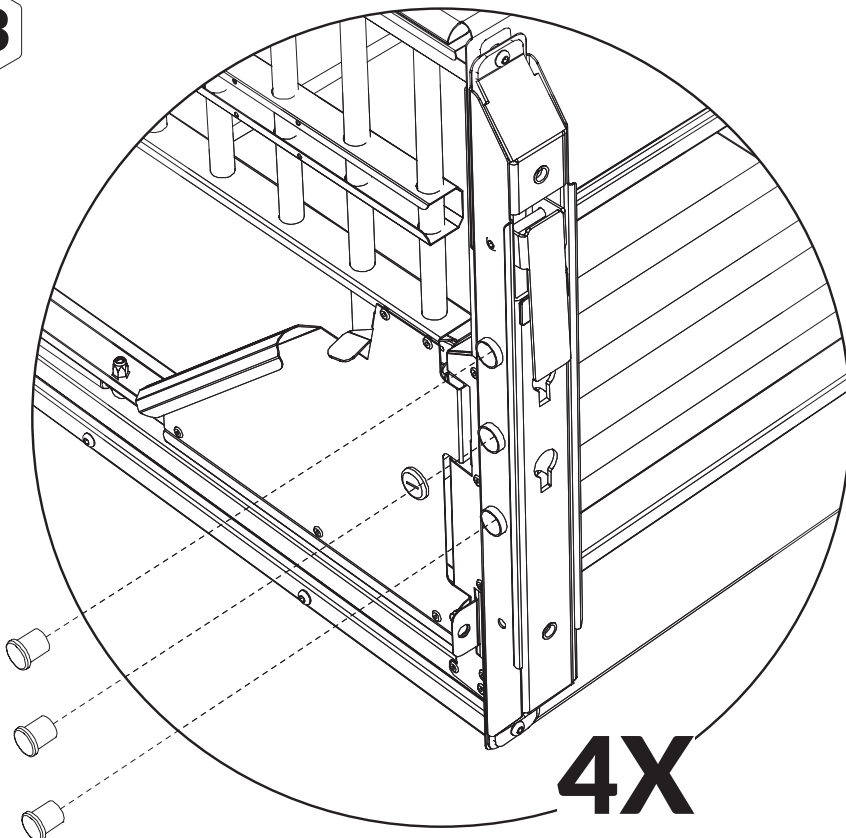
M-BR8x19x1,55
4X



M-VBM8x20S88
4X



STEP
13



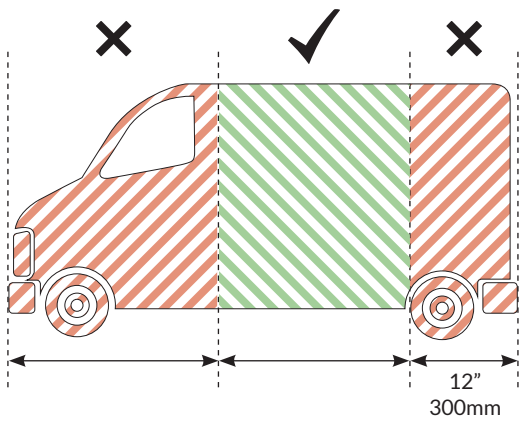
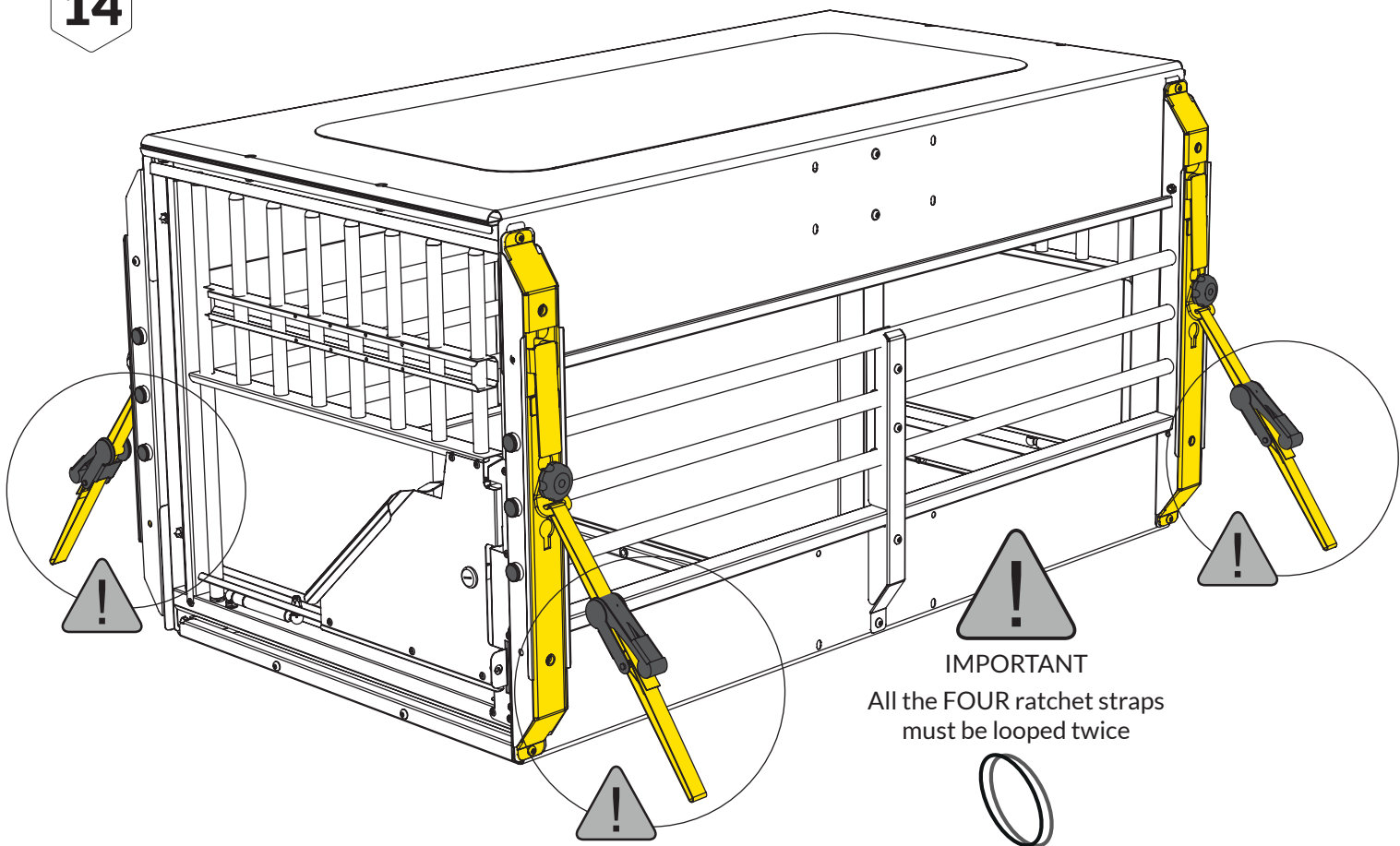
IKP1915-17S

6254C - 8X
6260C - 12X
6275C - 20X



plastic end caps

STEP
14



Where to place the MultiCage

