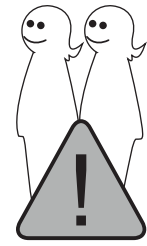
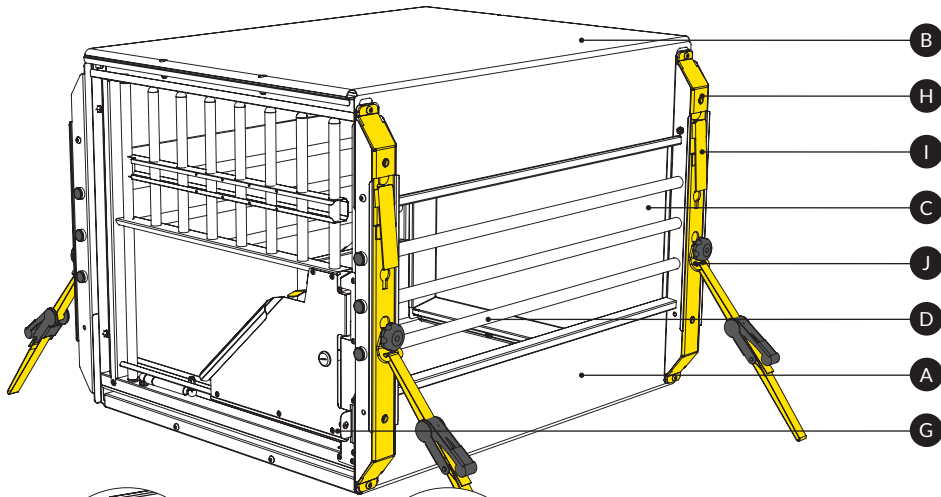


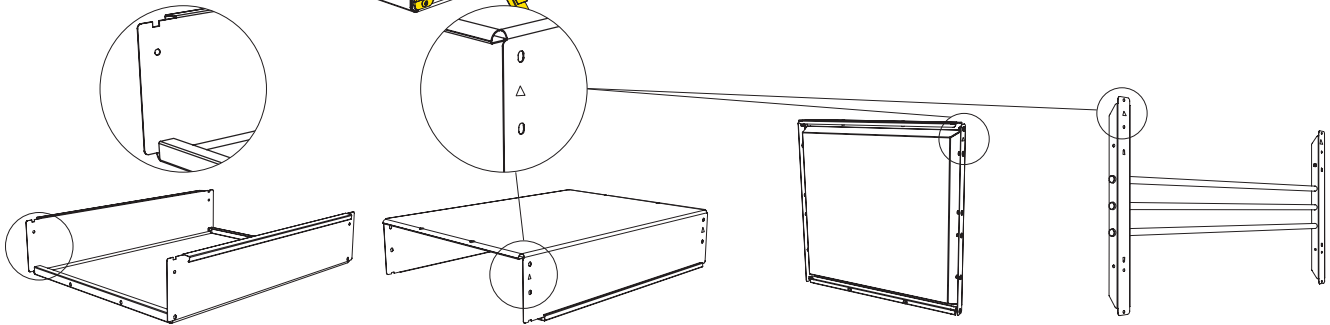
ASSEMBLY INSTRUCTIONS

MULTICAGE

single



IMPORTANT
Two-person assembly
recommendation



A Floor

6154A 6160A 6175A	1X
Product no	No of items

B Roof

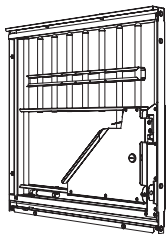
6154E 6160E 6175E	1X
Product no	No of items

C Divider panel

6254J 6260J 6275J	1X
Product no	No of items

D Sidebars

6154C 6160C 6175C	2X
Product no	No of items



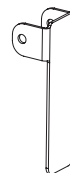
G Door section

6254I 6260I 6275I	1X
Product no	No of items



H Frame bar

6254N 6260N 6275N	4X
Product no	No of items



I Handle

6260P	4X
Product no	No of items

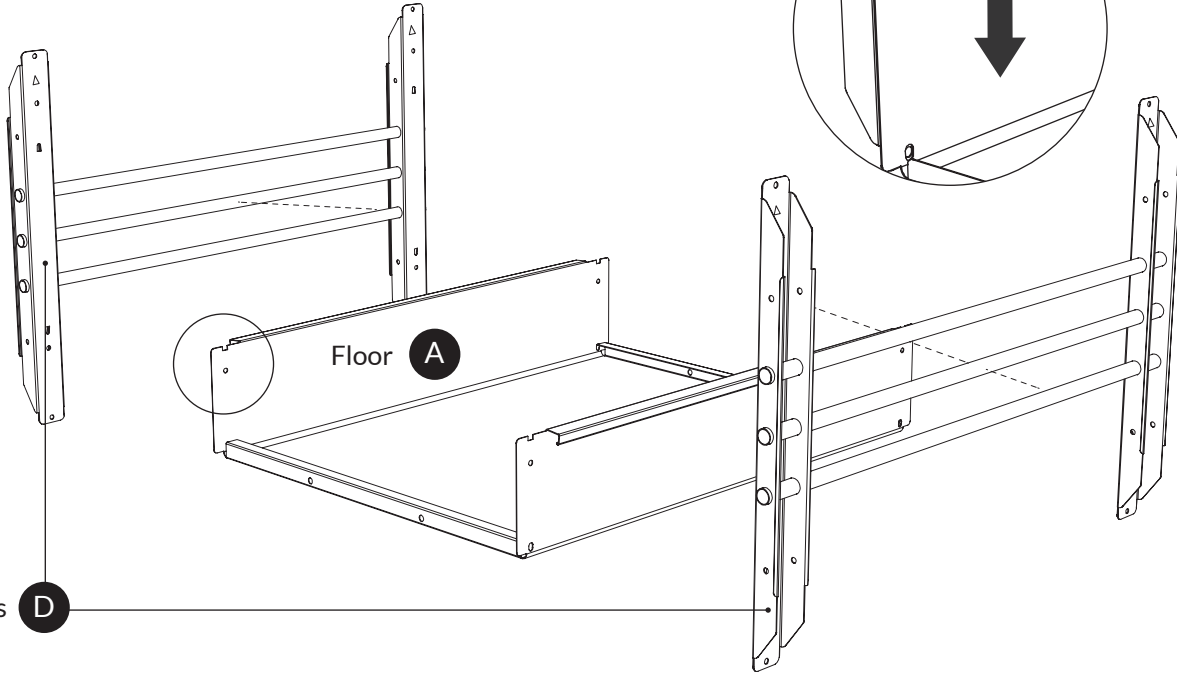
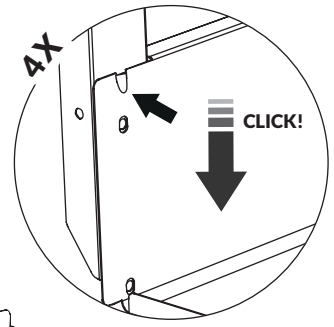


J Anchor

6260R	4X
Product no	No of items

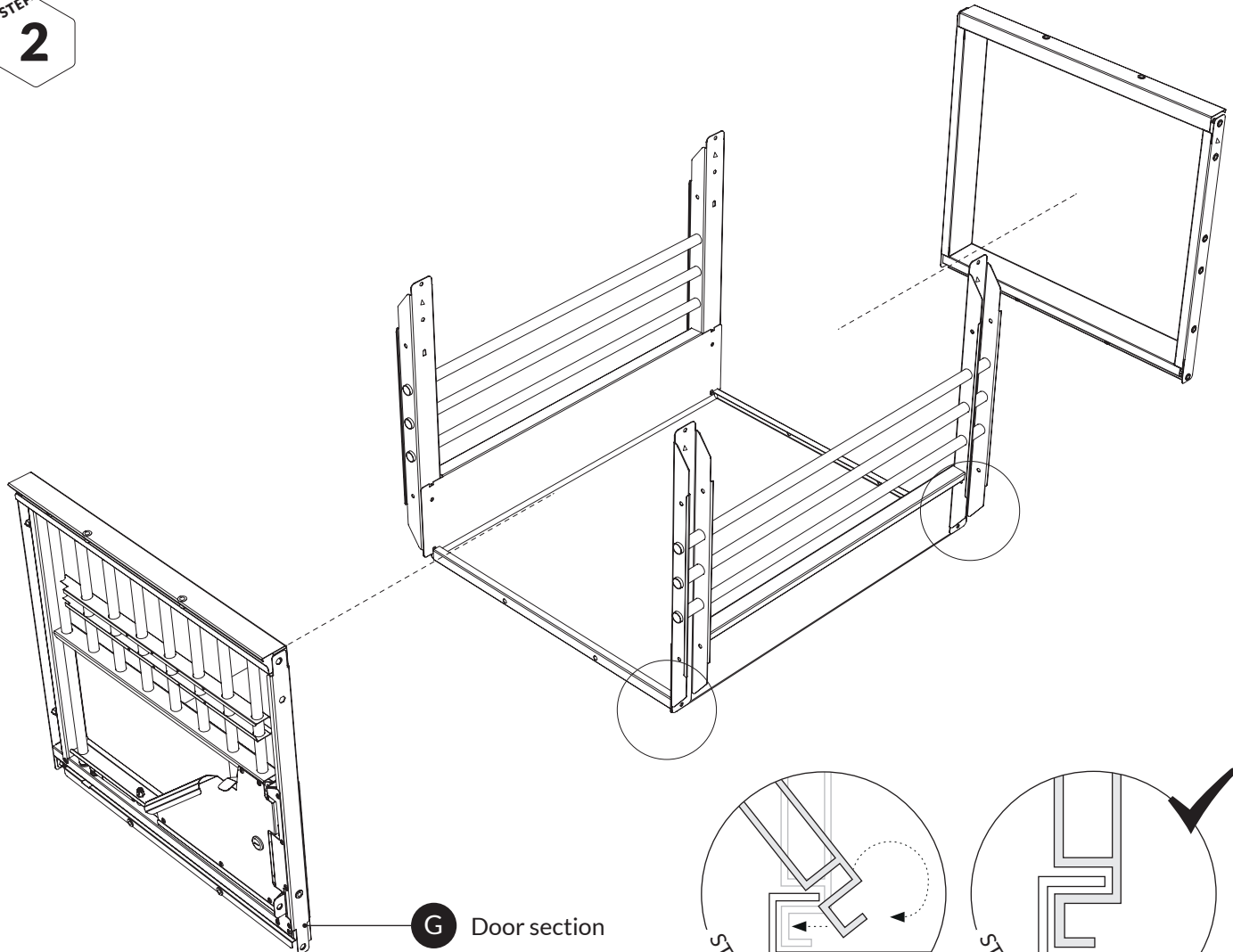
<p>ALLEN KEY 4 1X</p>	<p>IKP1915-17S</p> <p>6154C - 8X 6160C - 12X 6175C - 20X</p> <p>plastic end caps</p>	<p>M-460641I</p> <p>4X</p>	<p>M-BR8x19x1,5S</p> <p>4X</p>	<p>M-VBM8x20S88</p> <p>4X</p>	
<p>M-10520</p> <p>4X</p>	<p>M-SM6x14IA</p> <p>24X</p>	<p>M-SM6x55-IK</p> <p>4X</p>	<p>M-MM6NyS</p> <p>4X</p>	<p>M-460641D</p> <p>4X</p> <p>rubber</p>	<p>Combination spanner</p> <p>1X</p>

STEP
1

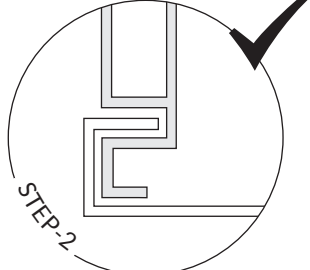
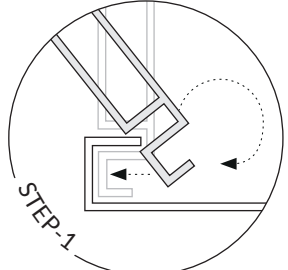


Sidebars **D**

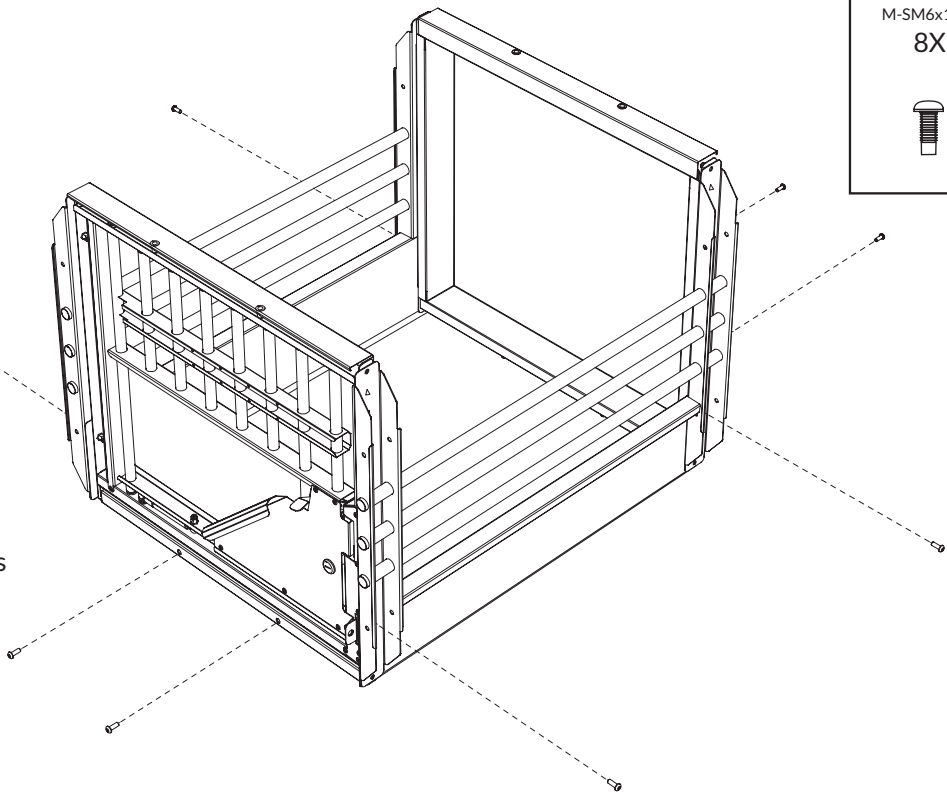
STEP
2



G Door section



STEP
3

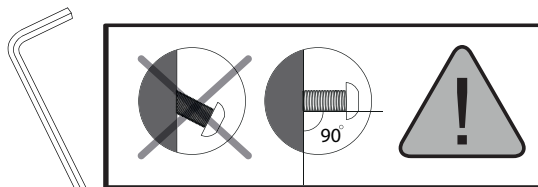


M-SM6x14IA
8X

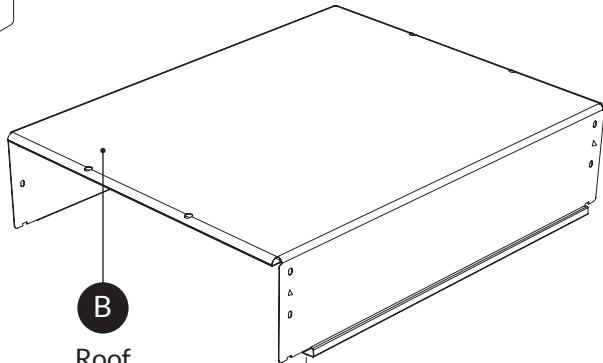


IMPORTANT

Gently insert all the screws
before tightening



STEP
4

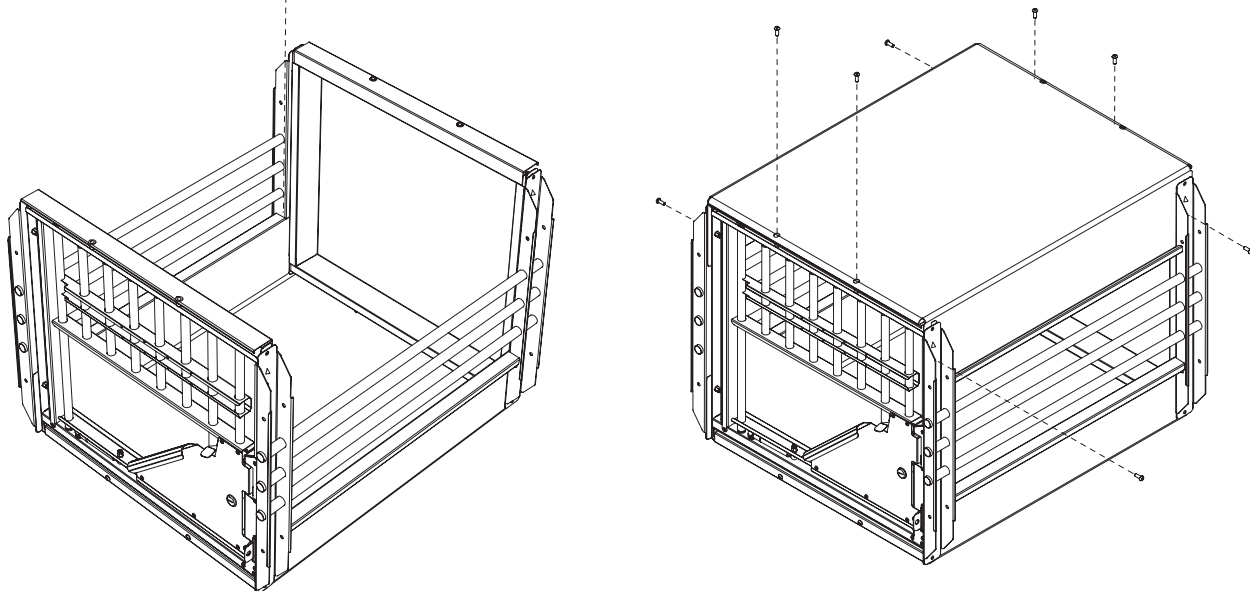


B
Roof

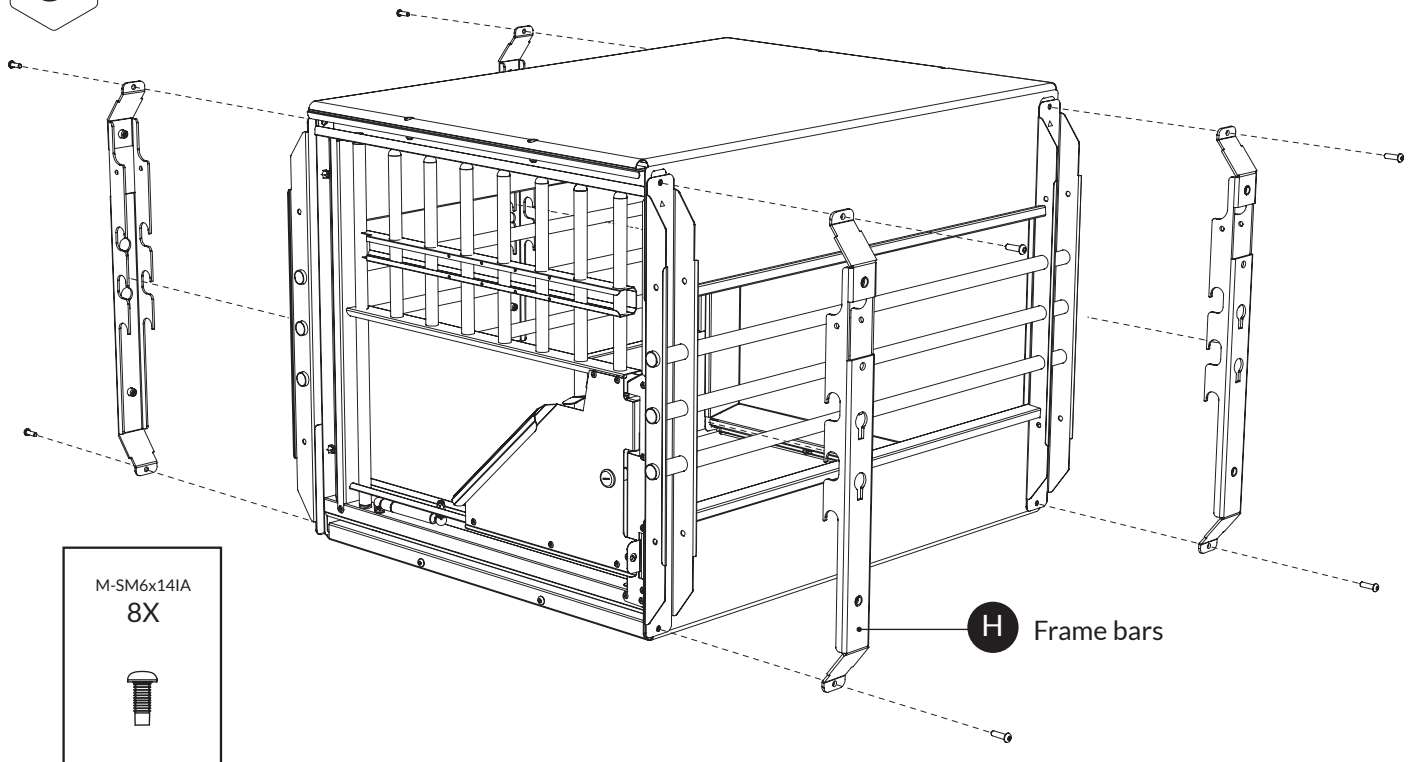


IMPORTANT
Gently insert all the screws
before tightening

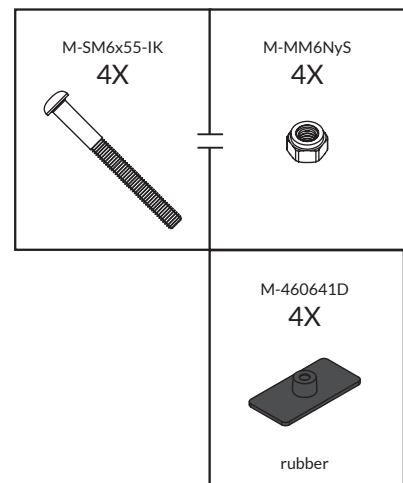
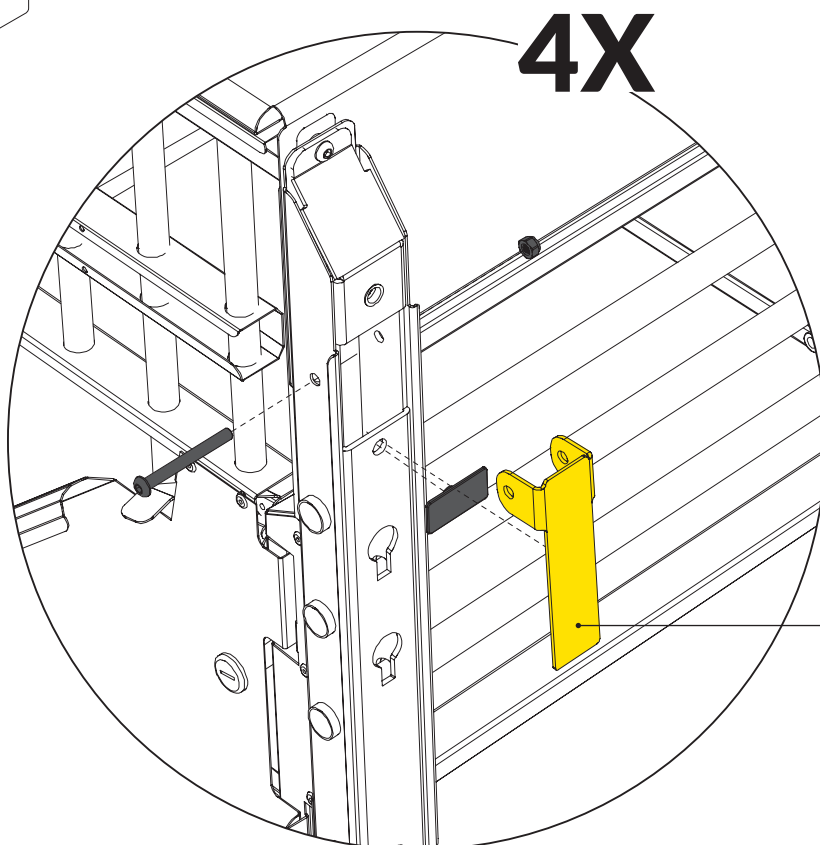
M-SM6x14IA
8X



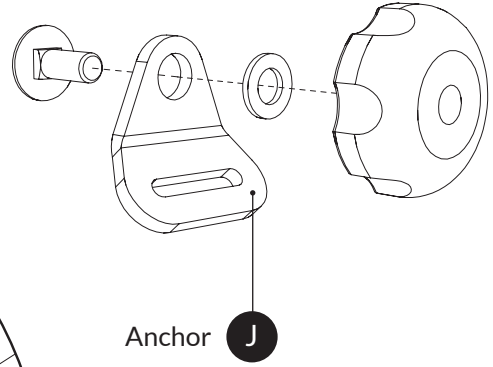
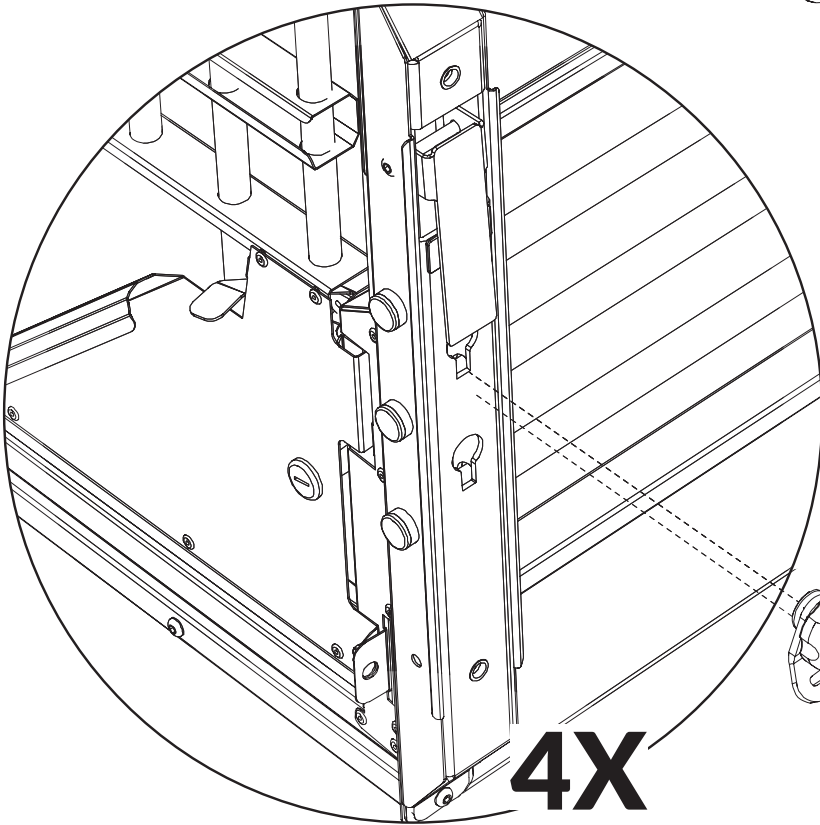
STEP
5

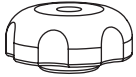




STEP
6

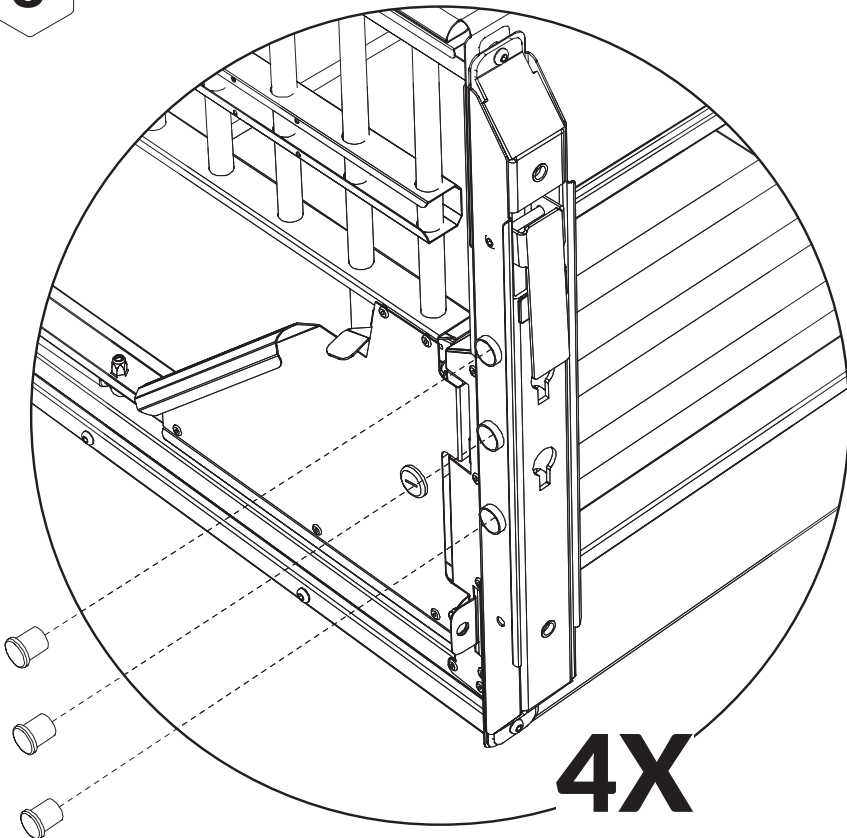



STEP
7



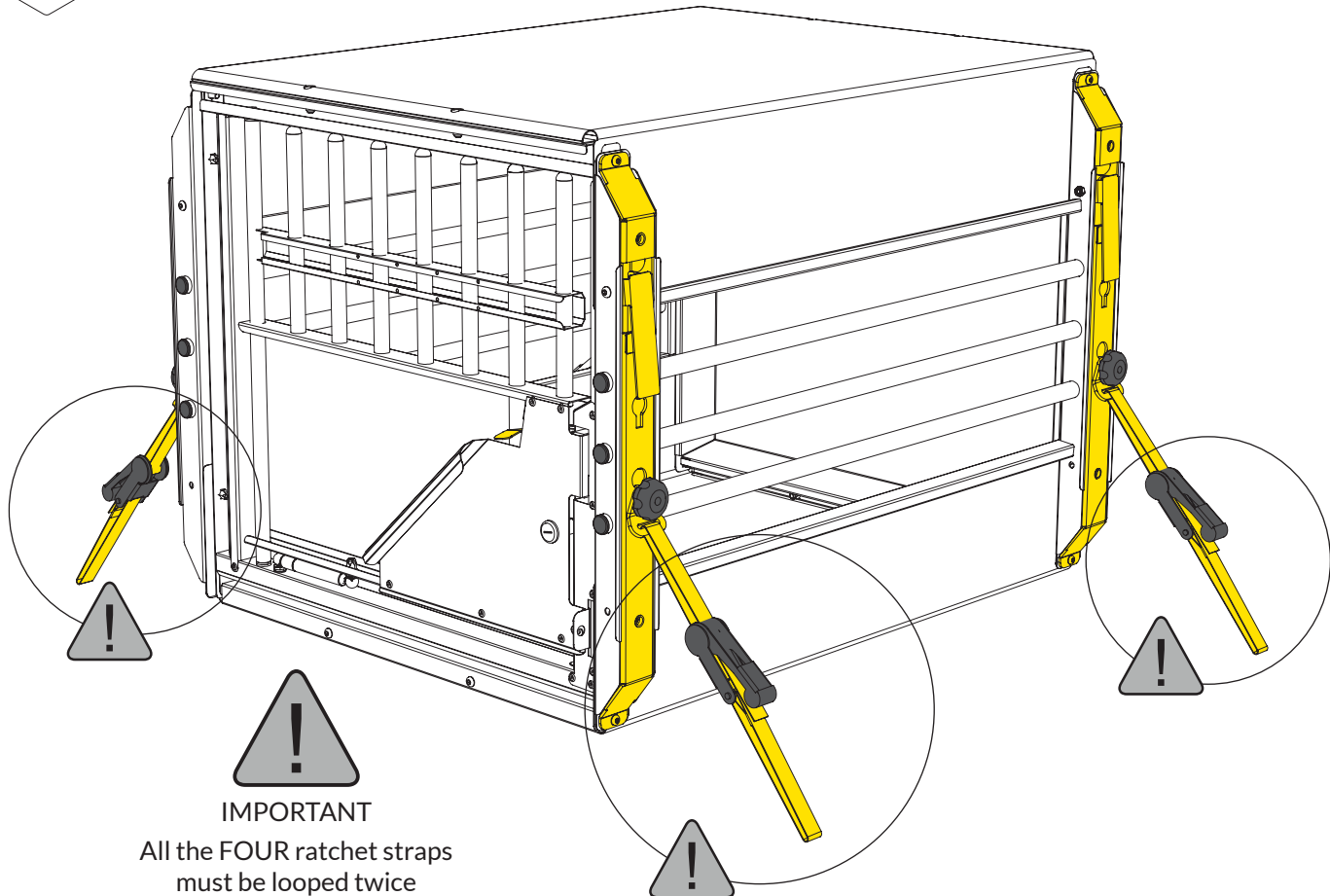
M-460641 4X 	
M-BR8x19x1,5S 4X 	M-VBM8x20S88 4X 

STEP
8

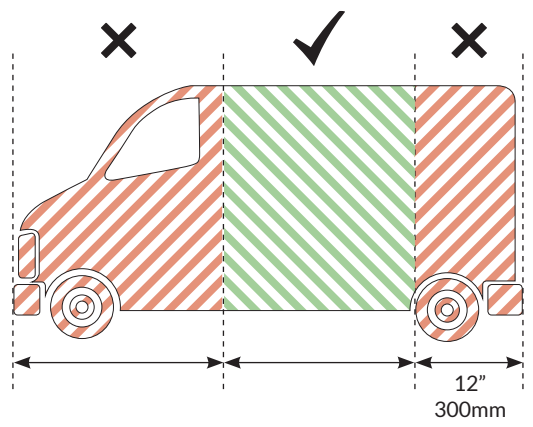


IKP1915-17S
6154C - 8X
6160C - 12X
6175C - 20X

plastic end caps

STEP
11



IMPORTANT
All the **FOUR** ratchet straps
must be looped twice



Where to place the MultiCage

