

MENABO

free time on the move

optional kit
000110300000

| | | |
|-----------------------------|-------------------------------|-----------------------------|
| IT Istruzioni di montaggio | ET Paigaldusjuhend | PT Instruções de Montagem |
| EN Fitting instructions | FI Asennusohje | RO Instrucțiuni de montare |
| DE Montageanleitung | HR Uputa za sastavljanje | RU Инструкции по установке |
| FR Instructions de montage | HU A felszerelés módja | SK Návod na montáž |
| ES Instrucciones de montaje | LT Pritvirtinimo instrukcijos | SL Navodila za pritrjevanje |
| BG инструкции за сглобяване | LV Stiprināšanas instrukcija | SV Monteringsanvisning |
| CS Návod na montáž | NL Instrukcja montażu | TK Uydurma talimat |
| DA Monteringsvejledning | NO Monteringsveiledning | ZH 裝修指導 |
| EL Οδηγίες συναρμολόγησης | PL Instrukcja montażu | AR تعليمات التجميع |

YELO NS




YELO

NIAGARA




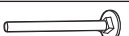
Made in Italy

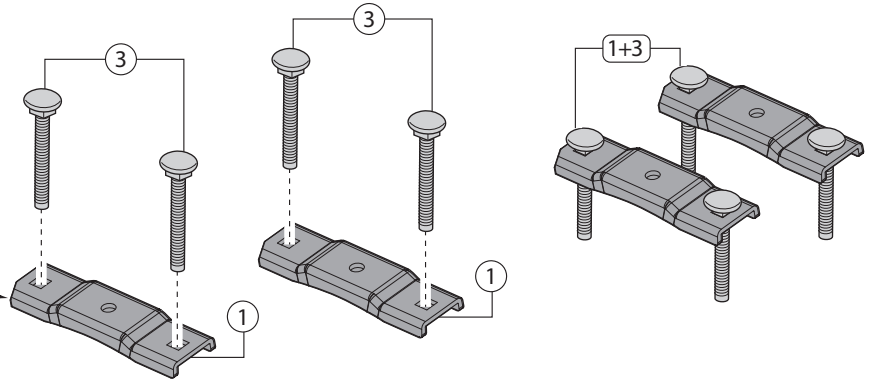
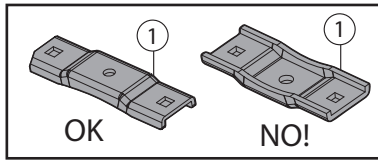


| N° | [IT]Componenti (Inclusi) [EN]Components (Included) [FR]Composants (Comprises) [DE]Die Komponenten (im Lieferumfang enthalten) [ES]Componentes (Incluido) | Q. |
|----|--|----|
| 1 |  | 8 |
| 2 |  | 8 |
| 3 |  M6x60 | 8 |

① YELO NS / -YELO / NIAGARA

X2

| N° | | Q. |
|----|---|----|
| 1 |  | 2 |
| 3 |  M6x60 | 4 |



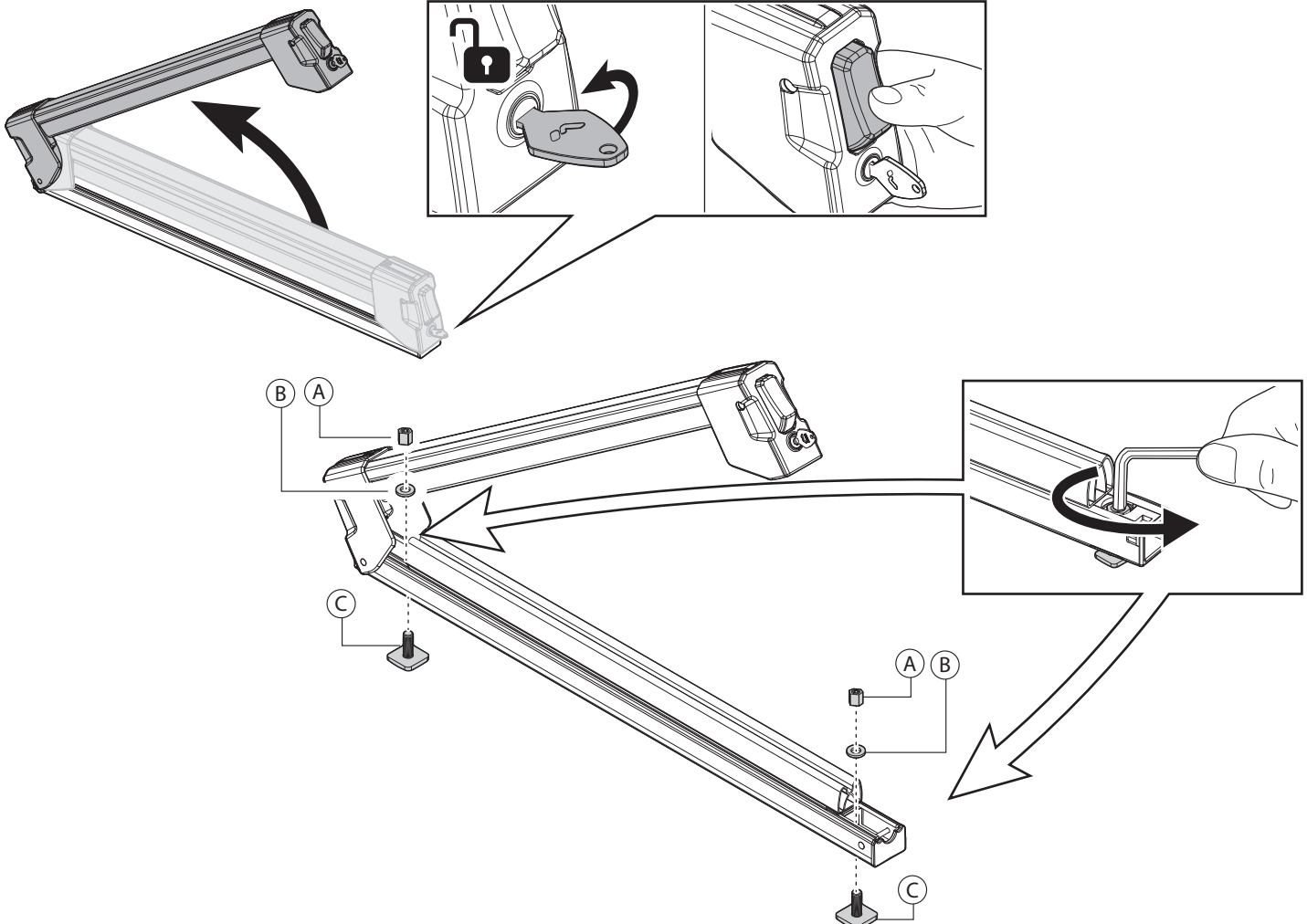
YELO NS ➔ ②

YELO ➔ ④ pag.3

NIAGARA ➔ ⑫ pag.6

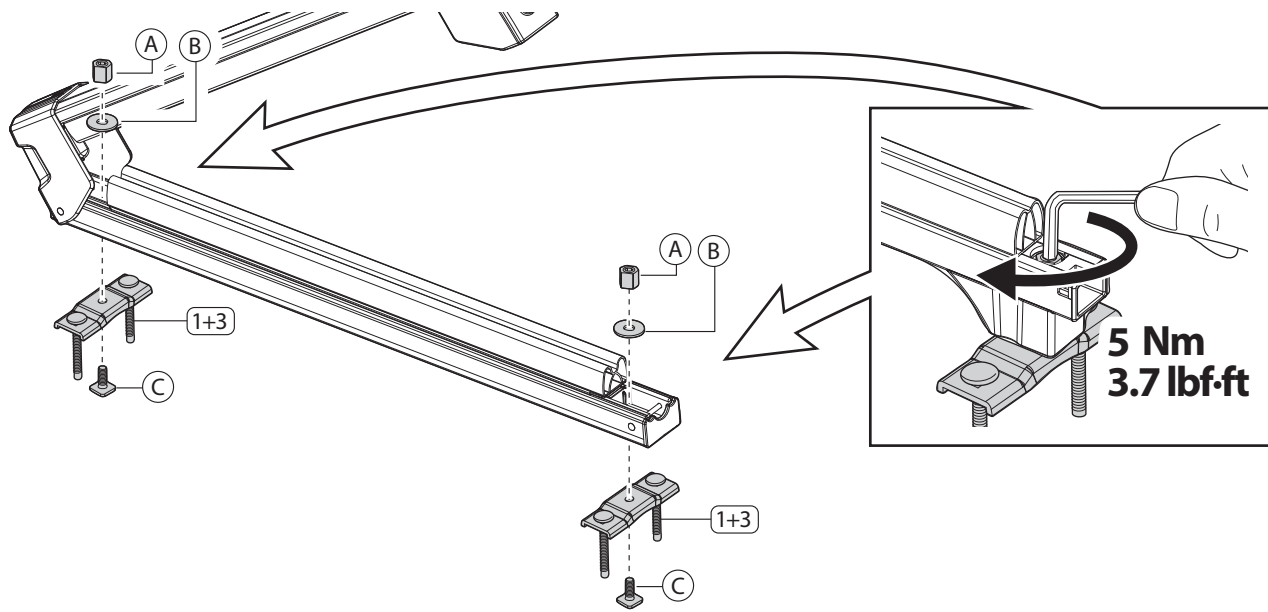
② YELO NS

X2



3 YELO NS

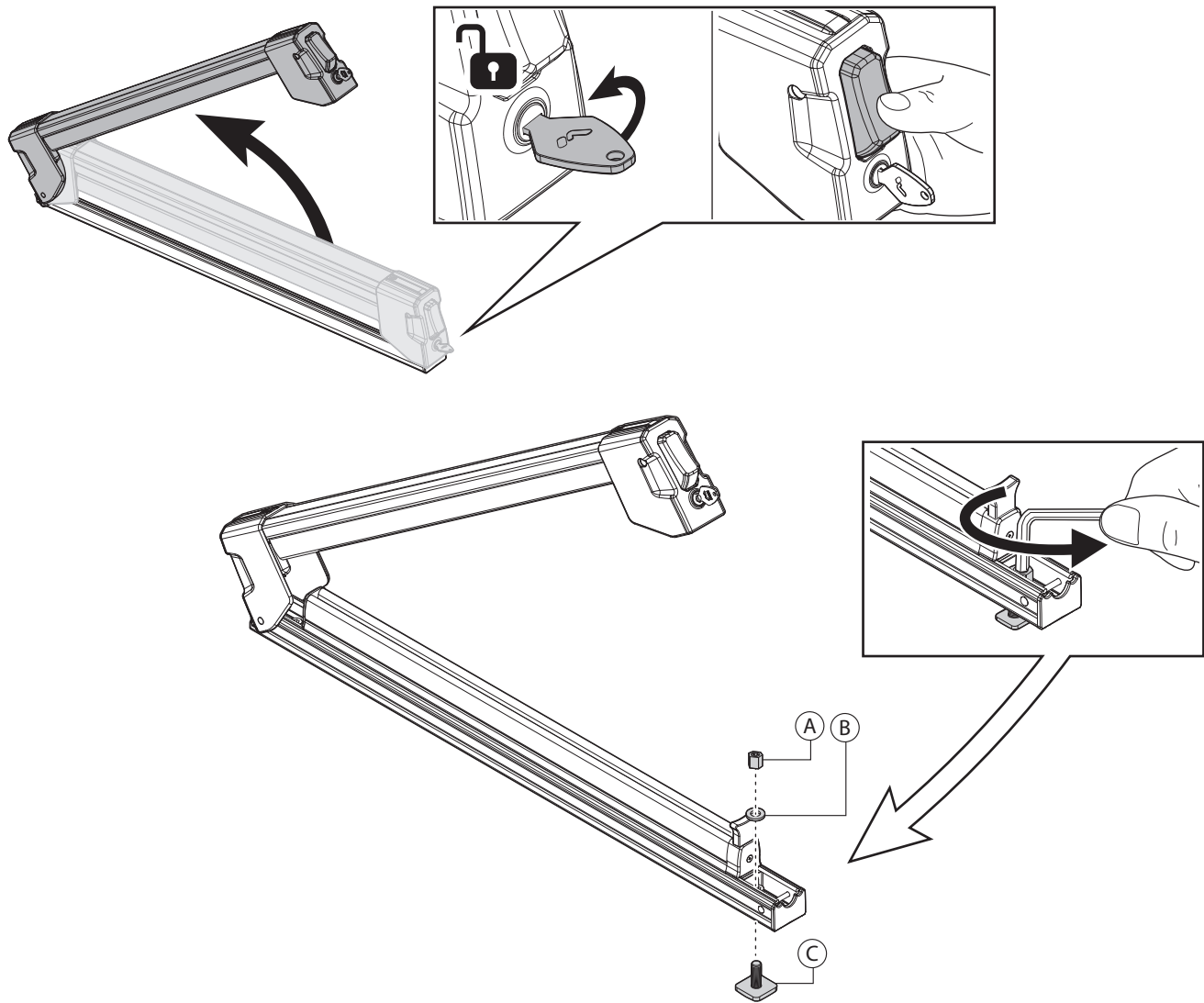
X2



YELO NS → 9 pag.5

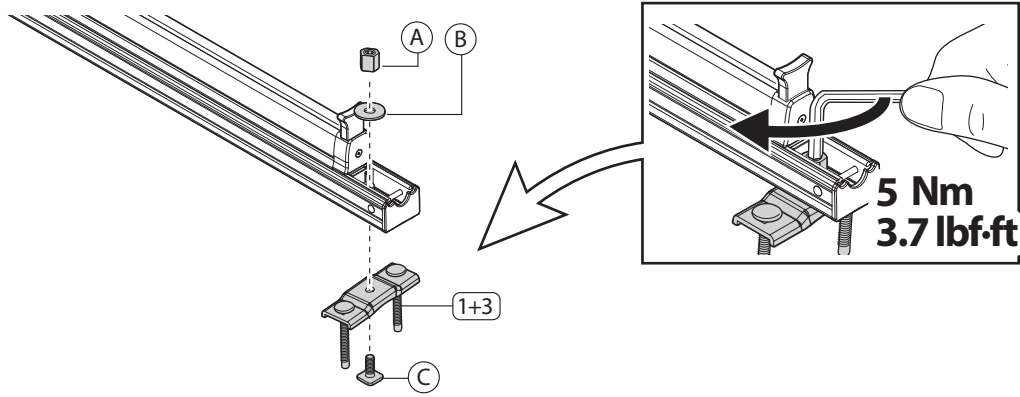
4 YELO

X2



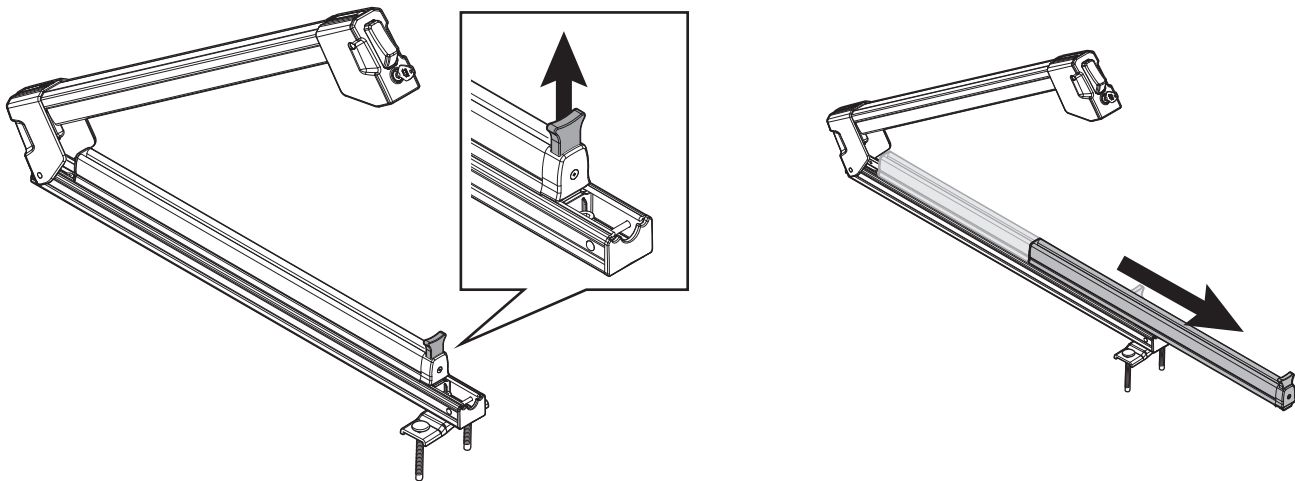
5 YELO

X2



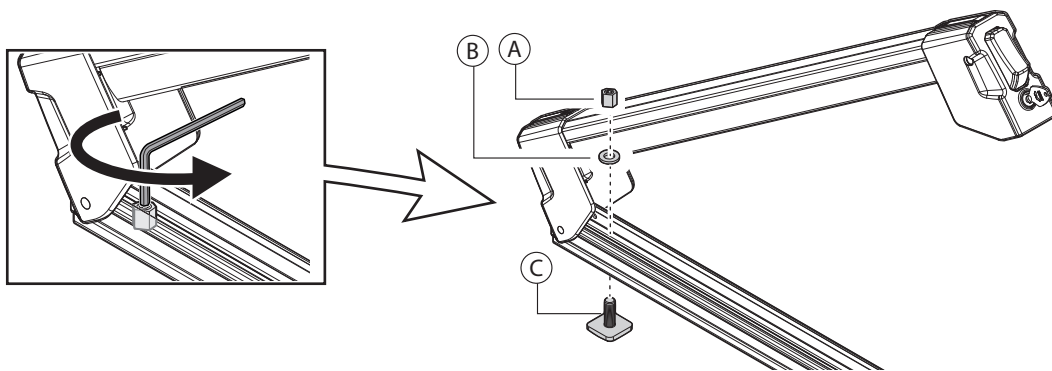
6 YELO

X2



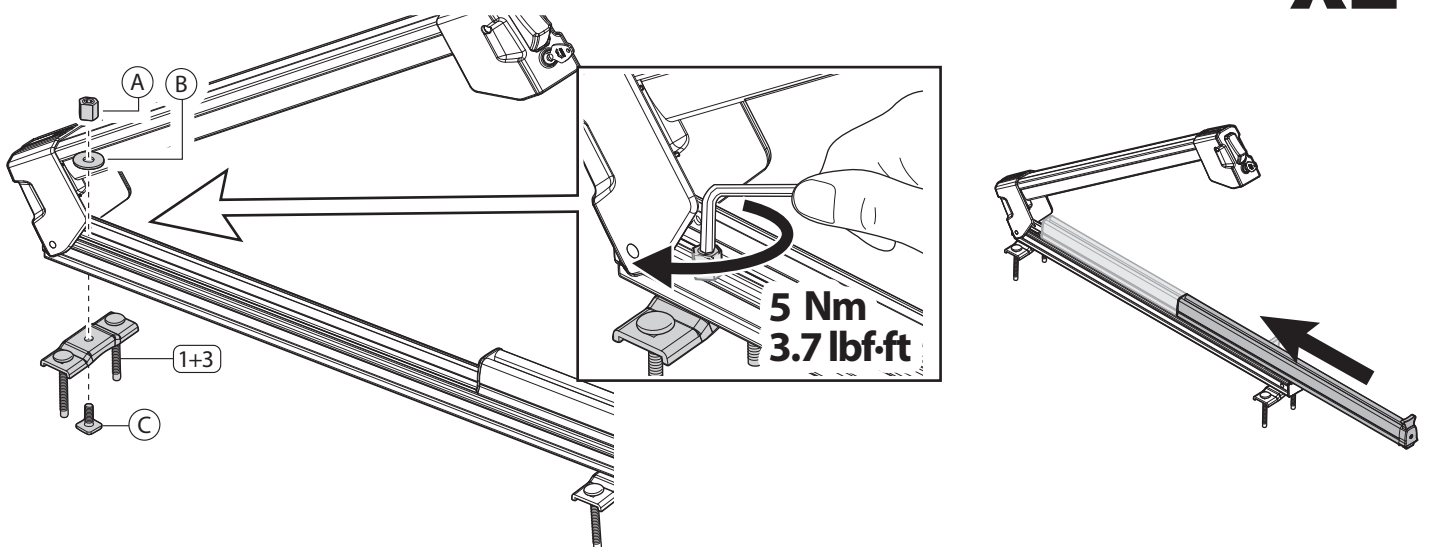
7 YELO

X2



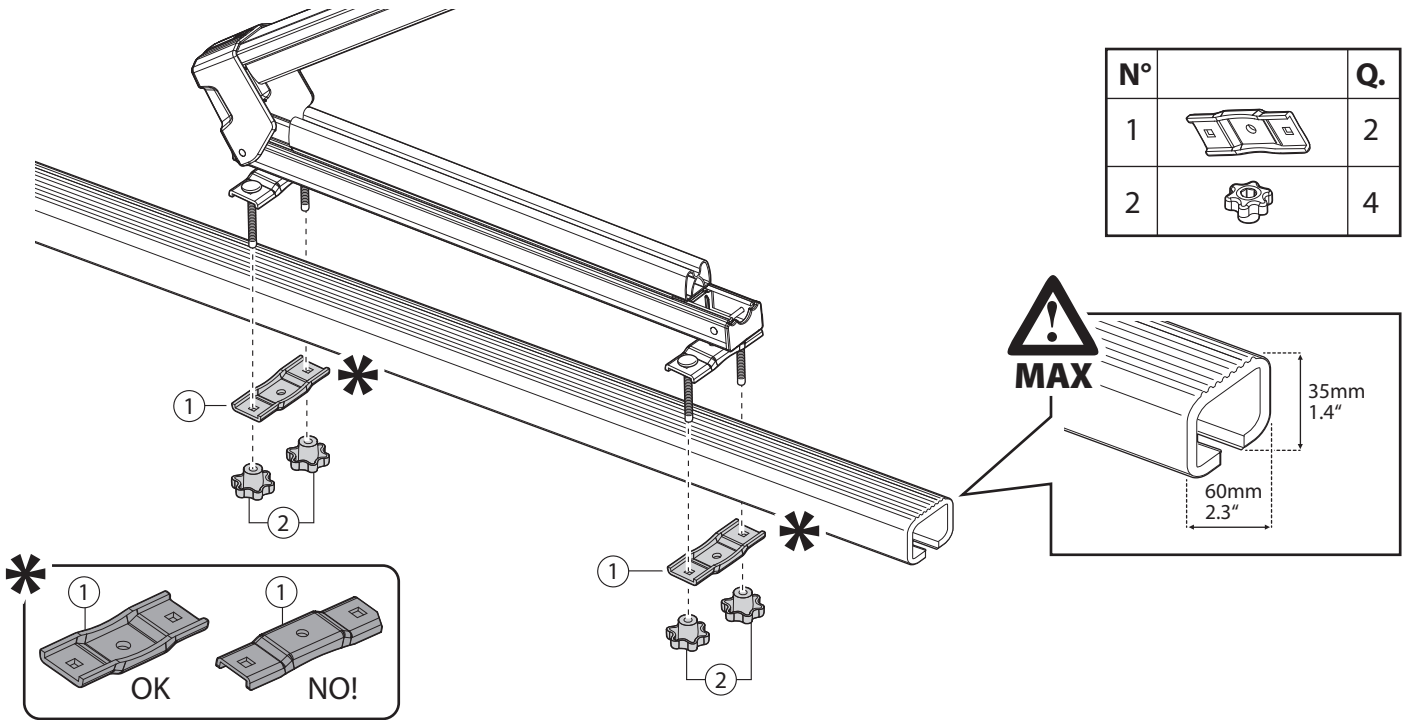
8 YELO

X2



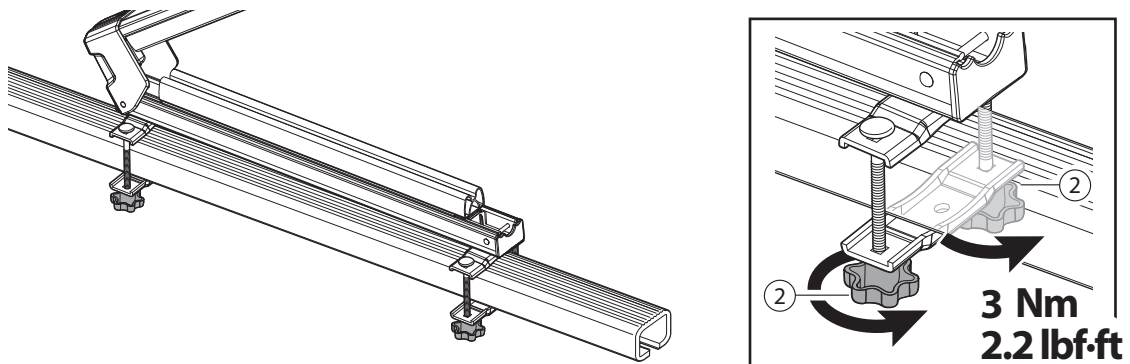
9—YELO NS / YELO

X2



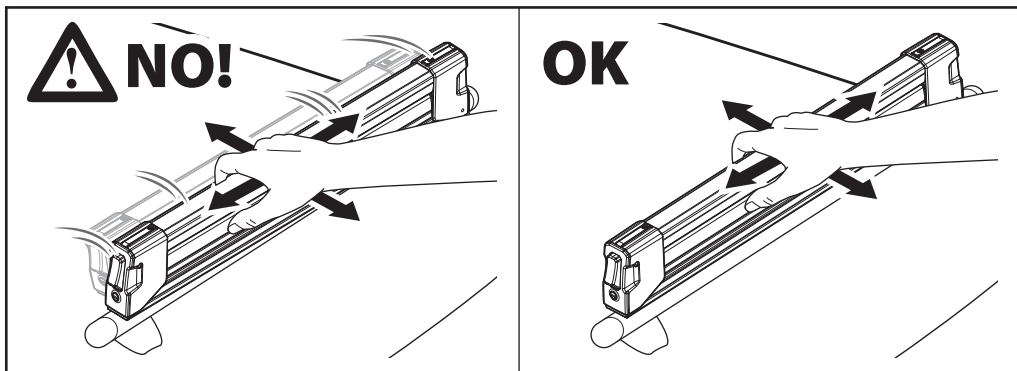
10—YELO NS / YELO

X2



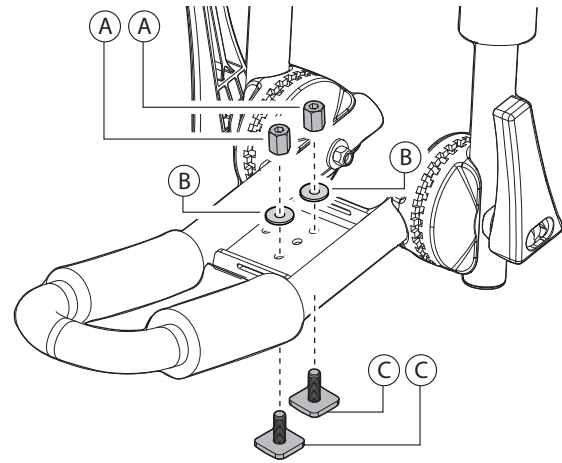
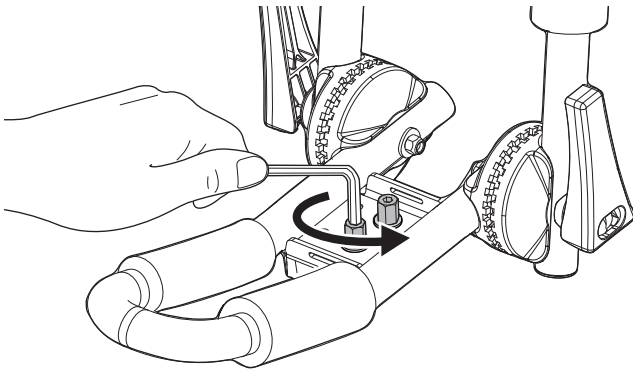
11—YELO NS / YELO

X2



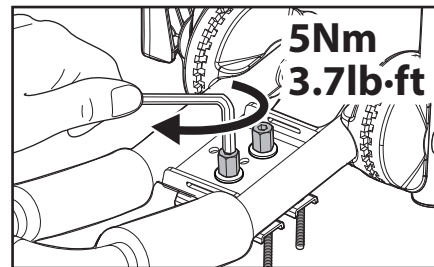
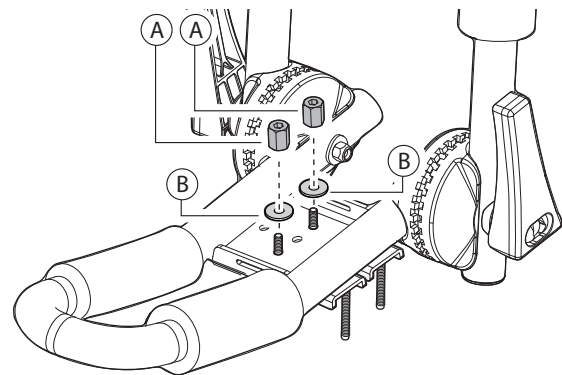
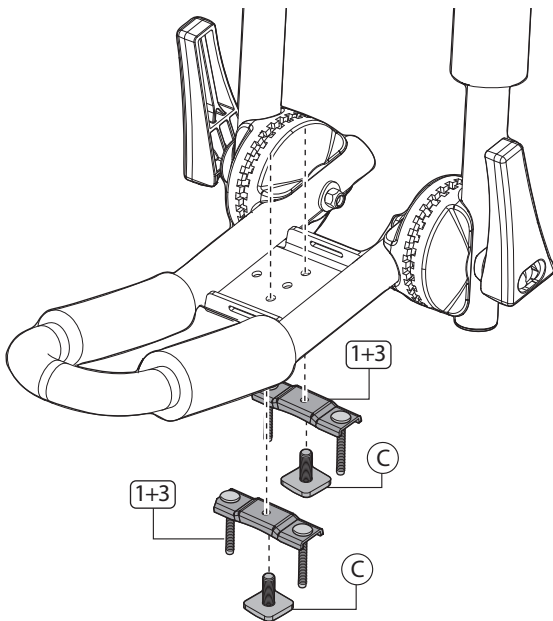
12 NIAGARA

X2



13 NIAGARA

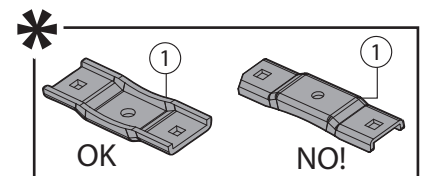
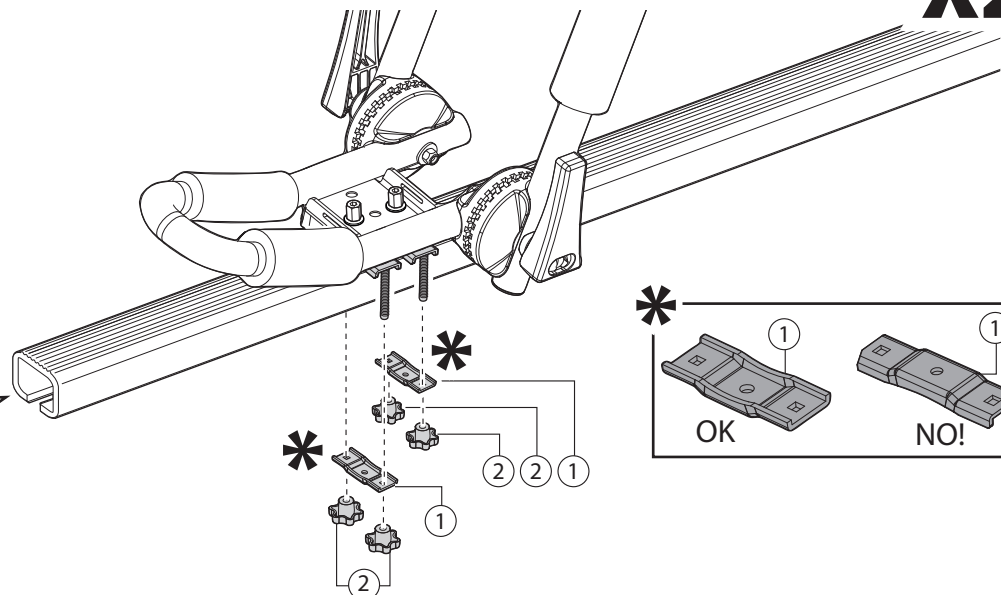
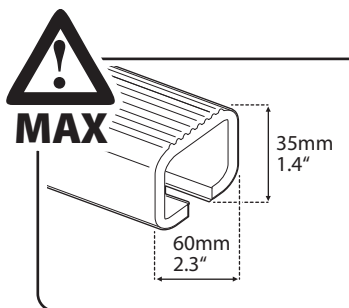
X2

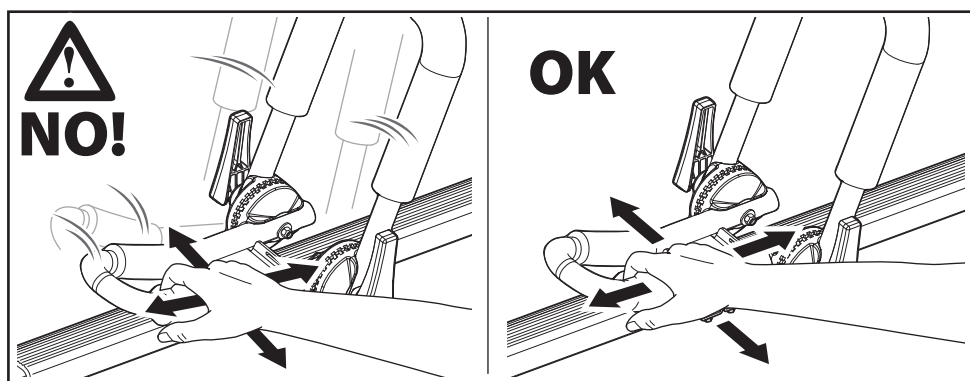
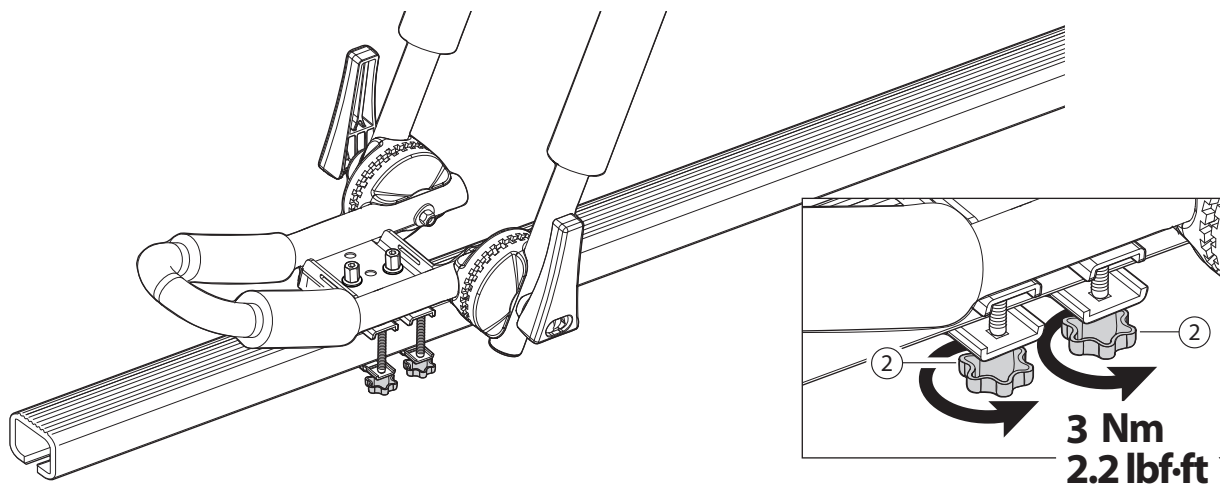


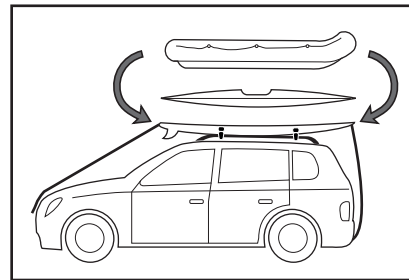
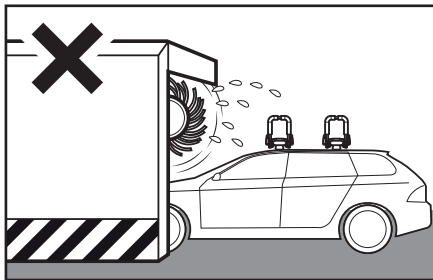
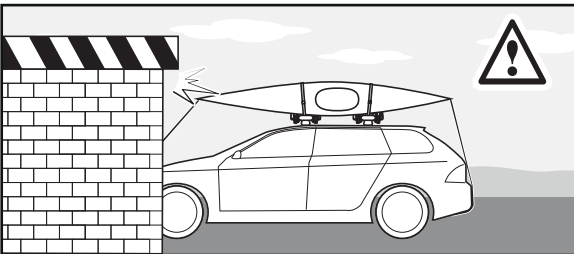
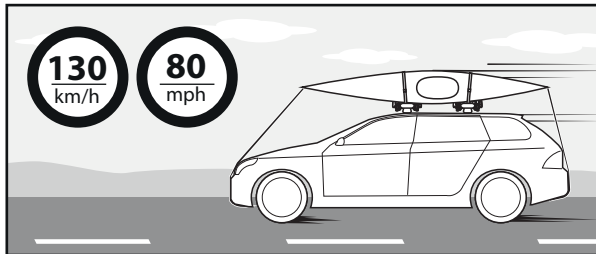
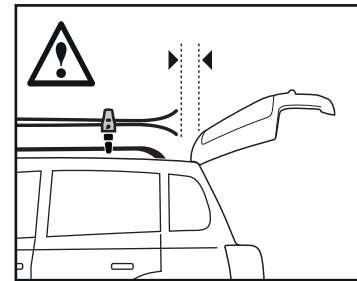
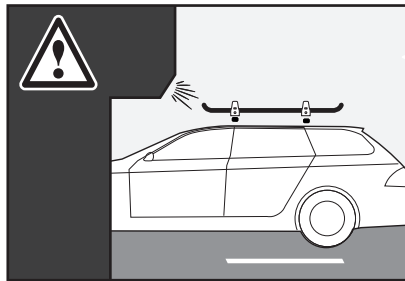
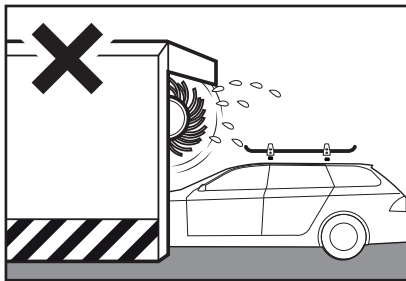
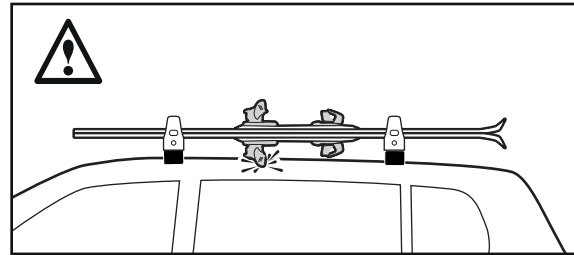
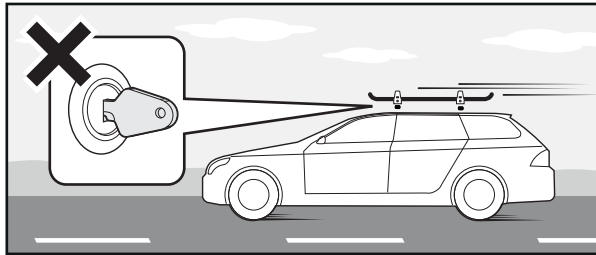
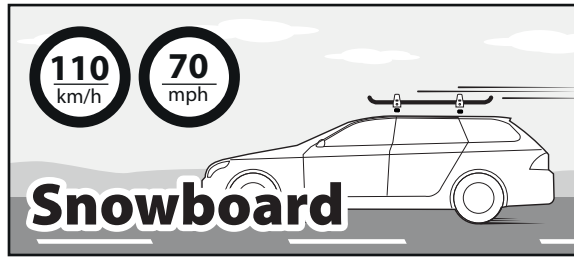
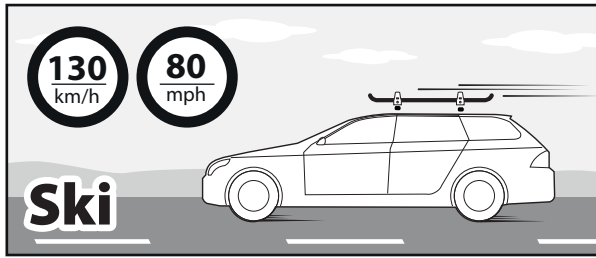
14 NIAGARA

X2

| N° | | Q. |
|----|--|----|
| 1 | | 2 |
| 2 | | 4 |







F.lli Menabò S.r.l.
 Via 8 Marzo, 3 -Z.I. Corte Tegge
 42025 Cavriago (RE) ITALY
 customercare@flli-menabo.it
 www.menabocaraccessories.com



500029800001
 11/10/2023