

# INSTALLATION MANUAL USE AND MAINTENANCE

---

## CARGOBLOCK® ND

---

**Cargo area door protection for  
commercial vehicles**

EAN code **8056814560638**

Product code **0001070002202**

Application.

**Peugeot Expert**

**Toyota Proace**

**Citroen Jumpy**

**Opel Vivaro NV**

**Fiat Scudo 2022**





**Citroen Jumpy**



**Peugeot Expert**



**Toyota Proace**



**Fiat Scudo 2022**



**Opel Vivaro NV**

## **A - INTRODUCTION**

### **Objective of the Manual**

This manual aims to provide detailed guidelines and essential information for the proper installation of the CargoBlock ND alarm system on the vehicle. It is recommended to strictly follow all the procedures outlined, which are crucial to ensure a quick and optimal installation.

### **Warning**

Before proceeding with the installation, it is essential to check that the rear and side doors are properly aligned and that the images in this manual match those of the vehicle on which the system is to be installed.

ST Automotive disclaims any responsibility for damage to the vehicle resulting from incorrect installation or failure to follow the instructions.

## **B - GENERAL INSTRUCTIONS**

### **CargoBlock ND Installation**

The installation of CargoBlock ND has been rigorously tested on vehicles following the mounting instructions illustrated in the attached manual.

### **Warranty Registration**

To activate the product warranty, it is mandatory to register on the website: <https://web.starblock.it/garanzia-prodotto/>

## C - TECHNICAL FEATURES

CargoBlock ND represents the innovative protection for the cargo bay doors of commercial vehicles, designed for installation without drilling or structural modifications. Made with pre-formed and pre-drilled stainless steel plates, it ensures maximum reliability.

Thanks to its advanced design and cutting-edge technology, **CargoBlock ND** is practical and easy to install. It comes with dedicated mounting plates for each vehicle model, allowing installation on the original lock mounting points, without the need for additional drilling or modifications.

CargoBlock ND is equipped with the proprietary **StarBlock®** lock, which incorporates advanced technology and a non-duplicable key profile.

## D – CONTENTS OF THE PACKAGE

- 1 Welcome kit
- 2 Set of reflective stickers for rear and side doors
- 2 Window decals
- 2 keys + 1 emergency key
- 2 keychains



### Accessories:



3 Countersunk bolts  
M6x10 (already attached  
to the bracket)



1 Bolt M8x25  
1 Bolt M6x25



1 Drilling template

### Required equipment for installation:



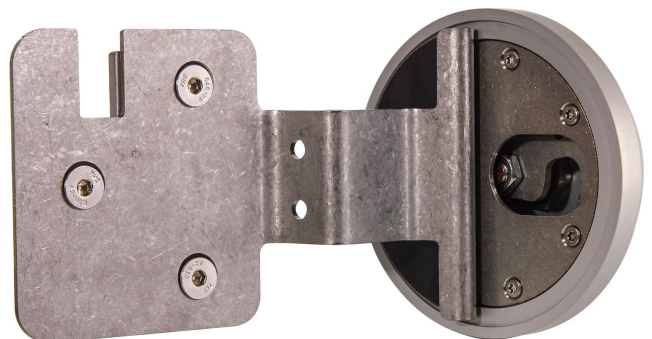
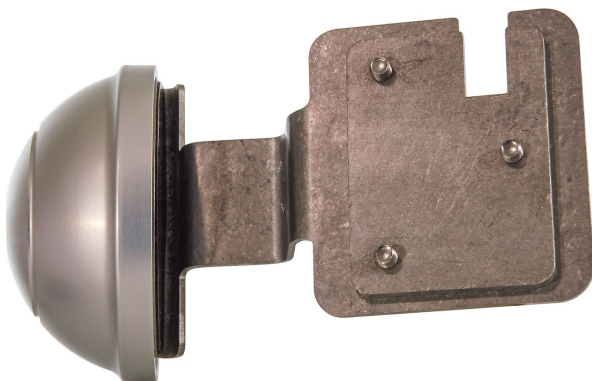
27 Torx wrench



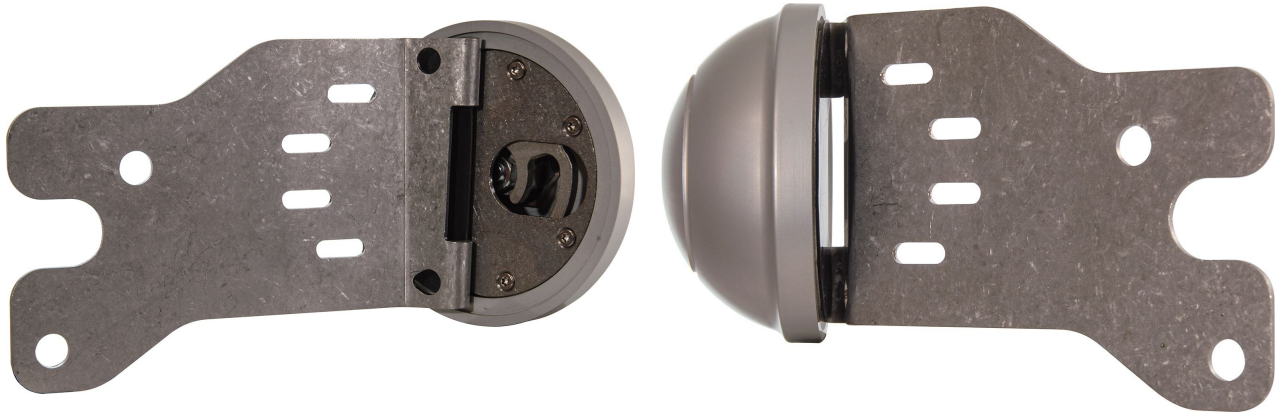
30 Torx wrench



**1 - Left rear door plate**



**2 - Right rear door plate**



**3 - Side sliding door plate**



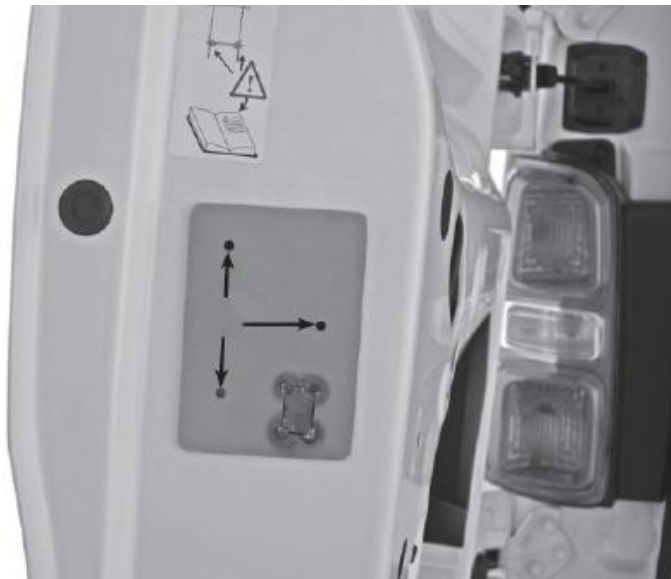
**Side door pillar plate**



## E – INSTALLATION GUIDE [Rear Door]



Lift and remove the push-fit plugs that secure the rear door panel.



Place the supplied drilling template to make the 3 holes with a 3mm diameter. Then enlarge the holes from 3mm to 8mm in diameter

## E – INSTALLATION GUIDE [Rear Door]

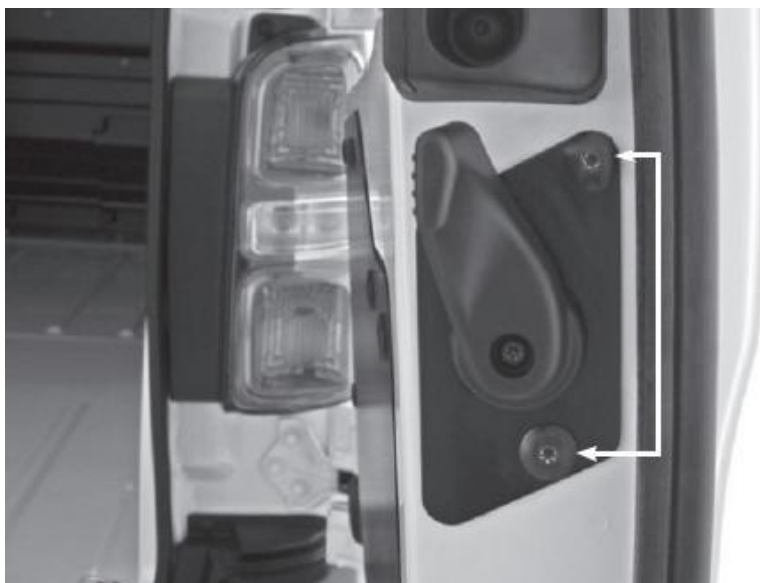


Detach, as shown in the figure, the rubber protection to access the inside of the panel for positioning the mounting plate. During the plate insertion, ensure it is properly positioned in alignment with the drilled holes and the slot on the door.

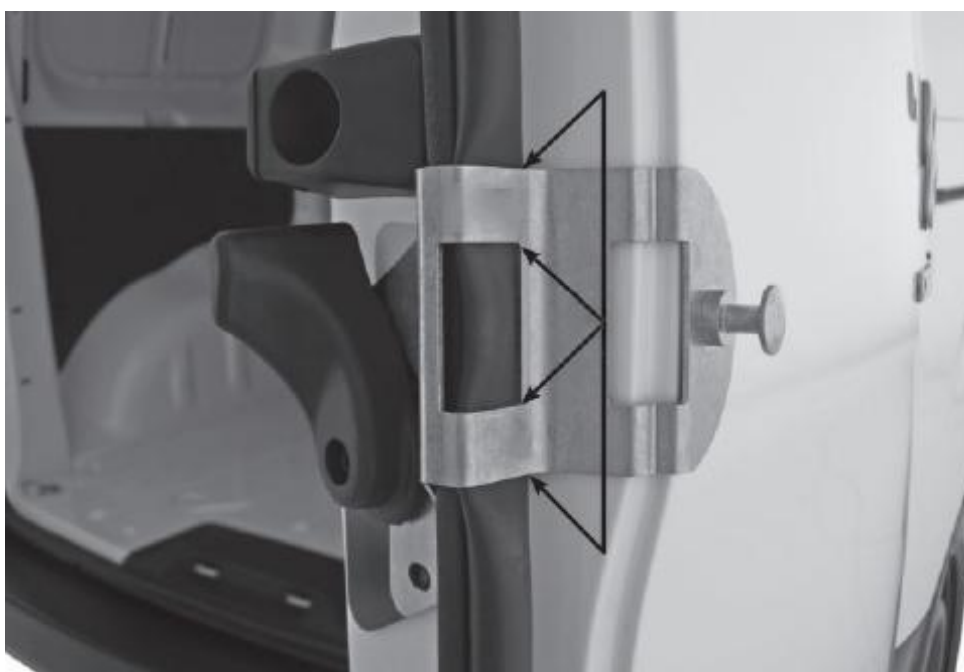


Position the rear door plate in alignment with the lock mounting holes. Secure the plate with the three supplied Torx bolts (do not tighten completely to allow for the final adjustment of the plate)

## E – INSTALLATION GUIDE [Rear Door]



Unscrew the two Torx screws that secure the handle support



Position the supplied plate on the right rear door, aligning it with the mounting holes for the handle support. Check that during the plate positioning, the gasket is not pinched between the door edges and the plate.

## E – INSTALLATION GUIDE [Rear Door]



Secure the plate with the two previously unscrewed Torx bolts, avoiding tightening them completely to allow for the final adjustment.



Bring the two doors together and check that the plates are aligned. Once the alignment is verified, proceed with tightening all the screws.

## ÏE – INSTALLATION GUIDE [Rear Door]



Completion of the CargoBlock ND installation on the rear door of the vehicle.

## E – INSTALLATION GUIDE [Side Door]



Unscrew the Torx screw that secures the side door lock and screw in the supplied M8 bolt to prevent the lock from detaching. Then unscrew the Torx screw that secures the lock.



Place the plate in the bolt housing, aligning it with the lock mounting holes, and tighten the Torx screw.

## E – INSTALLATION GUIDE [Side Door]



Unscrew the M8X25 bolt and screw in the other Torx screw, avoiding tightening the screws completely to allow for the final adjustment of the plate.



Unscrew one of the Torx screws that secure the hook to the vehicle door and screw in the supplied M8X25 bolt to prevent the lock from detaching during installation.

## E – INSTALLATION GUIDE [Side Door]



Unscrew the other Torx screw, position the side door mounting plate, and screw in the previously unscrewed Torx screw.



Unscrew the bolt and secure the bracket with the other original Torx screw from the vehicle (do not tighten the screws completely to allow for the final adjustment of the plate).



## E – INSTALLATION GUIDE [Side Door]



"Bring the two doors together and check that the plates are aligned. Once the alignment is verified, proceed with tightening all the Torx screws.

## E – INSTALLATION GUIDE [Side Door]



Completion of the CargoBlock ND installation on the side door of the vehicle.

## F - USE AND MAINTENANCE

### HOW TO USE CARGOLOCK

1. **Opening CargoBlock ND:** Insert the key into the lock of the rear or side doors. Either side of insertion works. Turn the key 90° clockwise. In this position, the key cannot be removed from the lock.
2. **Closing CargoBlock:** Close the vehicle doors completely. Turn the key counterclockwise. Then remove the key from the lock.

### MAINTENANCE OF CARGOLOCK

1. **Periodic Cleaning:** Remove any dust deposits from the product and the lock. Apply a dry lubricant spray to the lock and mechanism.
2. **Maintenance Frequency:** It is recommended to perform maintenance every six months. Perform maintenance more frequently if used in particularly dusty, sandy, or dirty environments.
3. **Additional Protection:** If the vehicle is used on muddy roads, it is recommended to use the anti-mud device to protect the lock.

**StarBlock®**



**ST Automotive Srl**  
Ss 96 Km 119  
70026 Modugno (BA)  
T.+39 080 2143503  
[info@starblock.it](mailto:info@starblock.it)



Rev.6 June 27 - 0001070002202 EAN  
8056814560638 Peugeot Expert - Toyota  
Proace - Citroen Jumpy - Opel Vivaro NV -  
Fiat Scudo 2022



**starblock.it**