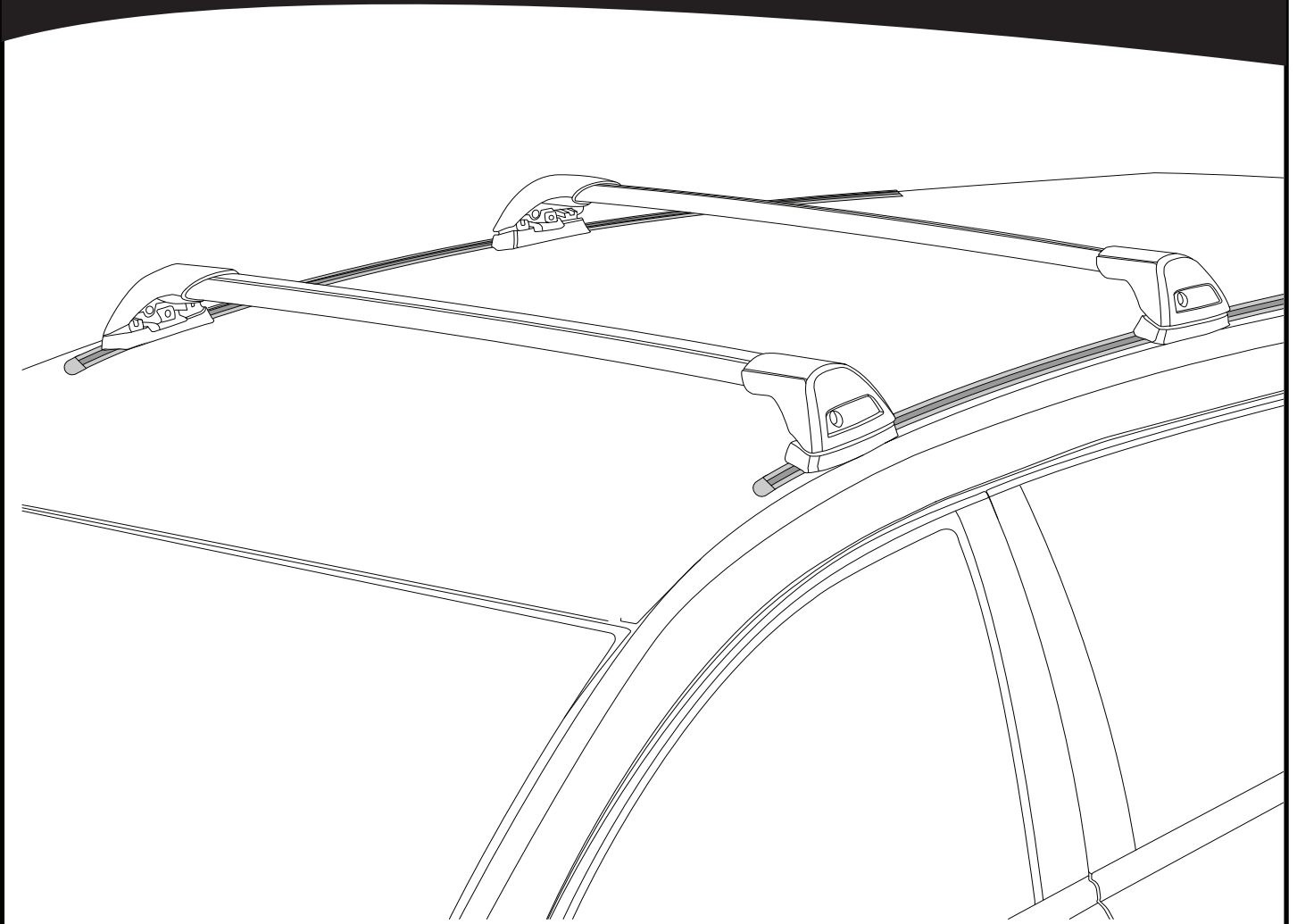
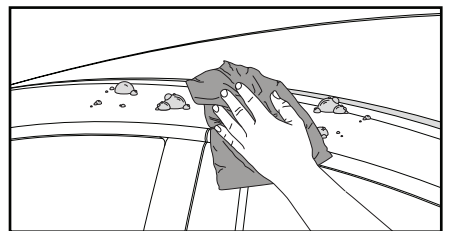
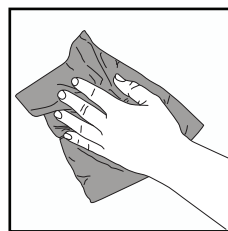
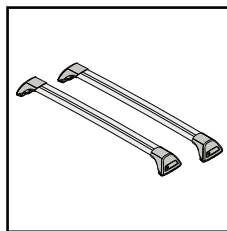
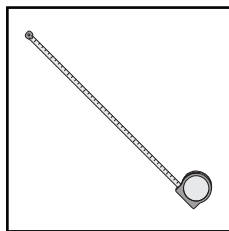
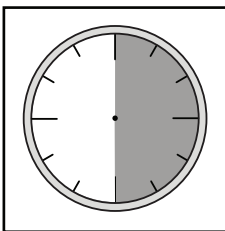


# K450

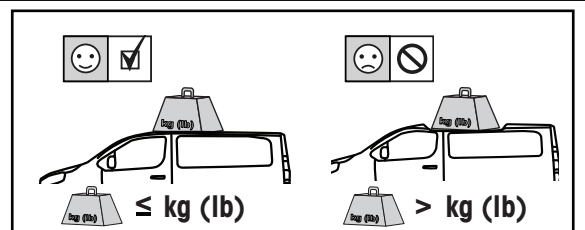
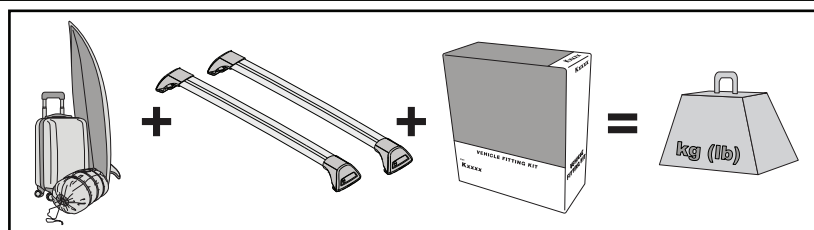
# Fitting Kit



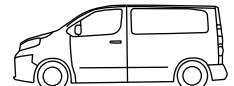
REQUIRED • ERFORDERLICH • REQUERIDOS • OBLIGATOIRE • NØDVENDIG • NECESSÁRIO • ОБЯЗАТЕЛЬНО • OBBLIGATORIO  
POTRZEBY • NEVYHNUTELNÉ • NEVYHNUTNÉ • NODIG • NÖDVÄNDIG • PÅKRÆVET • ПОТРІБНА • EDELLYTETÄÄN



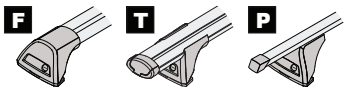
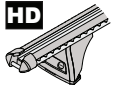


MAXIMUM kg (lb) • MAXIMUM kg • MÁXIMO kg • MAXIMUM kg • MAKSIMALT kg • MÁXIMO kg  
МАКСИМУМ кг • MASSIMO kg • MAKSIMALNEJ kg • MAXIMÁLNÍ kg • MAXIMÁLNE kg  
MAXIMUM kg • MAXIMAL kg • MAKSIMAL kg • МАКСИМАЛЬНА кг • ENIMMÄISMÄÄRÄ kg

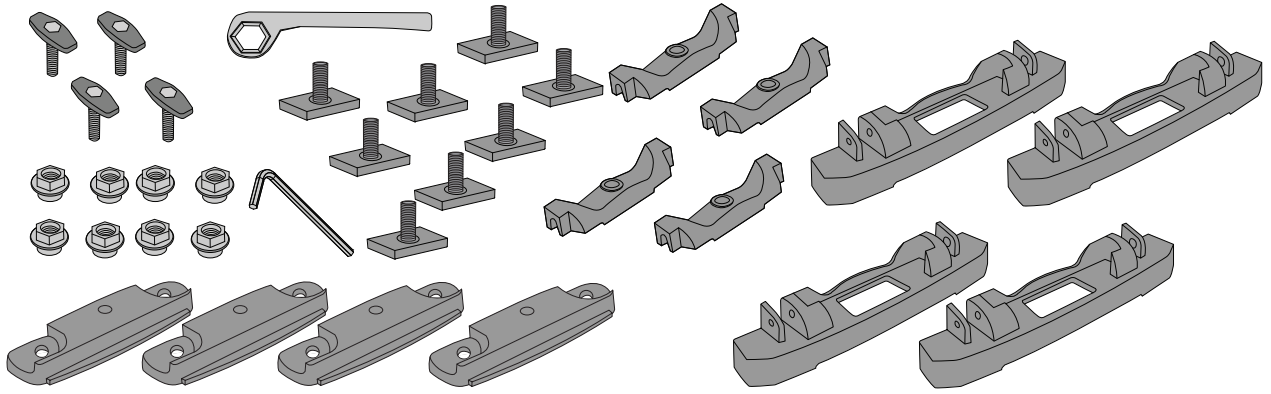


**K450 =**

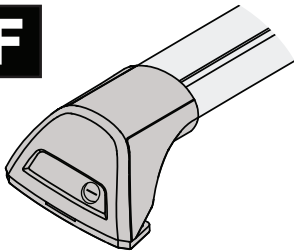


			
Daihatsu Terios, 5dr SUV 97-05	EU	75 kg (165 lb)	90 kg (198 lb)
Daihatsu Terios, 5dr SUV 98-03	ZA	75 kg (165 lb)	90 kg (198 lb)
Daihatsu Terios, 5dr SUV Jul 97-Mar 03	AU	75 kg (165 lb)	90 kg (198 lb)
Ford Escape, 5dr SUV 01-07	EU	44 kg (97 lb)	44 kg (97 lb)
Ford Escape, 5dr SUV Feb 01-08	AU	44 kg (97 lb)	44 kg (97 lb)
Ford Escape, 5dr SUV Mar 01-08	NZ	44 kg (97 lb)	44 kg (97 lb)
Ford Explorer, 5dr SUV 95-01	AU, CN, EU, NZ	75 kg (165 lb)	75 kg (165 lb)
Ford Maverick, 5dr SUV 01-07	EU	44 kg (97 lb)	44 kg (97 lb)
Ford Ranger Wildtrak (Rear Cargo), 4dr Ute 12+	AU, CN, EU, NZ, ZA	25 kg (55 lb)	25 kg (55 lb)
Great Wall X200, 5dr SUV Oct 09+	AU	50 kg (110 lb)	50 kg (110 lb)
Great Wall X200, 5dr SUV Nov 09+	NZ	50 kg (110 lb)	50 kg (110 lb)
Great Wall X240, 5dr SUV Oct 09+	AU	50 kg (110 lb)	50 kg (110 lb)
Great Wall X240, 5dr SUV Nov 09+	NZ	50 kg (110 lb)	50 kg (110 lb)
Land Rover Discovery, 5dr SUV 04-09	EU	75 kg (165 lb)	100 kg (220 lb)
Land Rover Discovery 3, 5dr SUV Nov 04-09	AU, NZ	75 kg (165 lb)	100 kg (220 lb)
Land Rover Discovery 4, 5dr SUV 09-Mar 17	AU, EU, NZ, ZA	75 kg (165 lb)	100 kg (220 lb)
Land Rover Discovery 4, 5dr SUV 10-16	CN	75 kg (165 lb)	100 kg (220 lb)
LDV G10, 4dr Van 15+	AU, CN, EU, NZ	75 kg (165 lb)	75 kg (165 lb)
LDV G10, 5dr MPV 15+	AU, CN, EU, NZ	75 kg (165 lb)	75 kg (165 lb)
Nissan Terrano II, 5dr SUV 96-04	EU	75 kg (165 lb)	80 kg (176 lb)
Nissan Terrano Regulus, 5dr SUV 96-03	AU, NZ	75 kg (165 lb)	80 kg (176 lb)
Porsche Cayenne, 5dr SUV 02-10	AU, EU, NZ, ZA	75 kg (165 lb)	100 kg (220 lb)
Suzuki APV, 5dr MPV 07+	AU, NZ	75 kg (165 lb)	100 kg (220 lb)
Toyota 4 Runner, 5dr SUV 96-03	CN, EU	75 kg (165 lb)	75 kg (165 lb)
Volkswagen Caravelle T5, 5dr MPV 03-Dec 15 (2 Bar)	EU	75 kg (165 lb)	100 kg (220 lb)
Volkswagen Caravelle T5, 5dr MPV 03-Dec 15 (3 Bar)	EU	100 kg (220 lb)	100 kg (220 lb)
Volkswagen Multivan T5, 5dr MPV 03-Dec 15 (2 Bar)	AU, EU, NZ, ZA	75 kg (165 lb)	100 kg (220 lb)
Volkswagen Multivan T5, 5dr MPV 03-Dec 15 (3 Bar)	AU, EU, NZ, ZA	100 kg (220 lb)	100 kg (220 lb)
Volkswagen Multivan T6 LWB, 5dr MPV 15+	EU, ZA	75 kg (165 lb)	100 kg (220 lb)
Volkswagen Multivan T6 LWB, 5dr MPV Dec 15+	AU, NZ	75 kg (165 lb)	100 kg (220 lb)
Volkswagen Touareg, 5dr SUV 02-09	EU	75 kg (165 lb)	75 kg (165 lb)
Volkswagen Touareg, 5dr SUV 03-09	ZA	75 kg (165 lb)	75 kg (165 lb)
Volkswagen Touareg, 5dr SUV 03-10	AU, NZ	75 kg (165 lb)	75 kg (165 lb)

**CONTENTS • INHALT • CONTENIDO • CONTENU • INNHOLD • CONTEÚDO • СОДЕРЖАНИЕ • CONTENUTO  
ZAWARTOŚĆ • OBSAH • OBSAH • INHOUD • INNEHÅLL • INDHOLD • ЗМІСТ • SISÄLLYS**

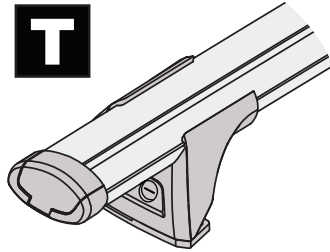


**F**



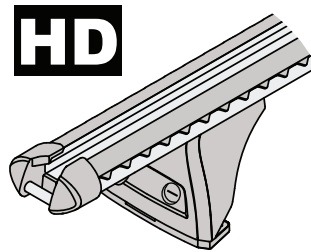
**FLUSH BAR (F)**

**T**



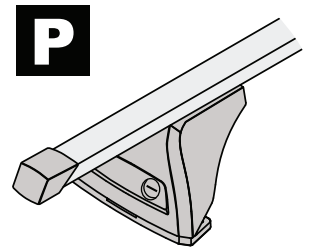
**THROUGH BAR (T)**

**HD**



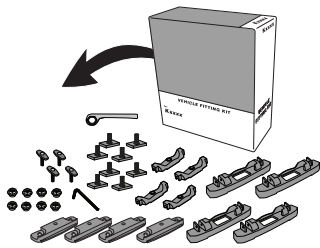
**HEAVY DUTY BAR (HD)**

**P**

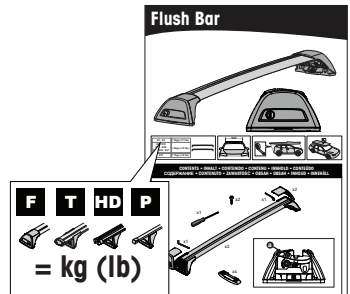
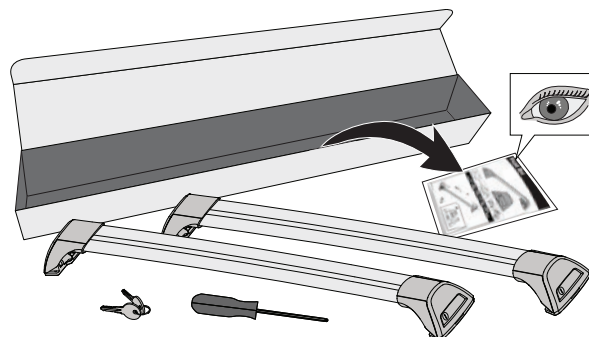


**P BAR (P)**

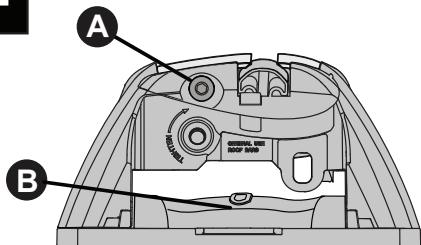
**ATTENTION • ACHTUNG • ATENCIÓN • ATTENTION • OPPMERKSOMHET • ATENÇÃO • ВНИМАНИЕ • ATTENZIONE  
UWAGA • UPOZORNĚNÍ • UPOZORNENIE • LET OP • UPPMÄRKSAMHET • OPMÆRKSOMHED • УВАГА • HUOMIO**



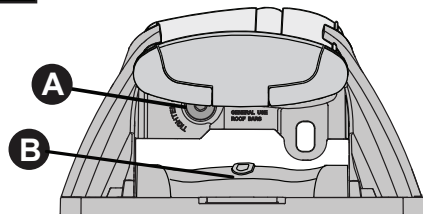
**K450  
= 1.0 kg (2.2 lb)**



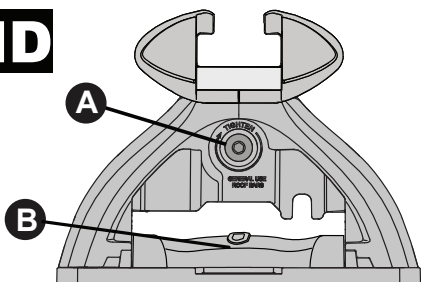
**F**



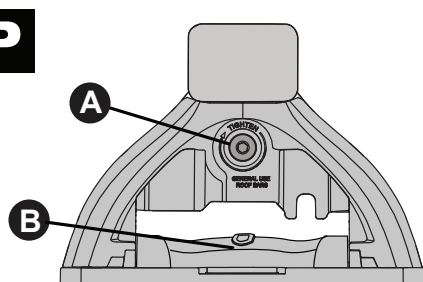
**T**

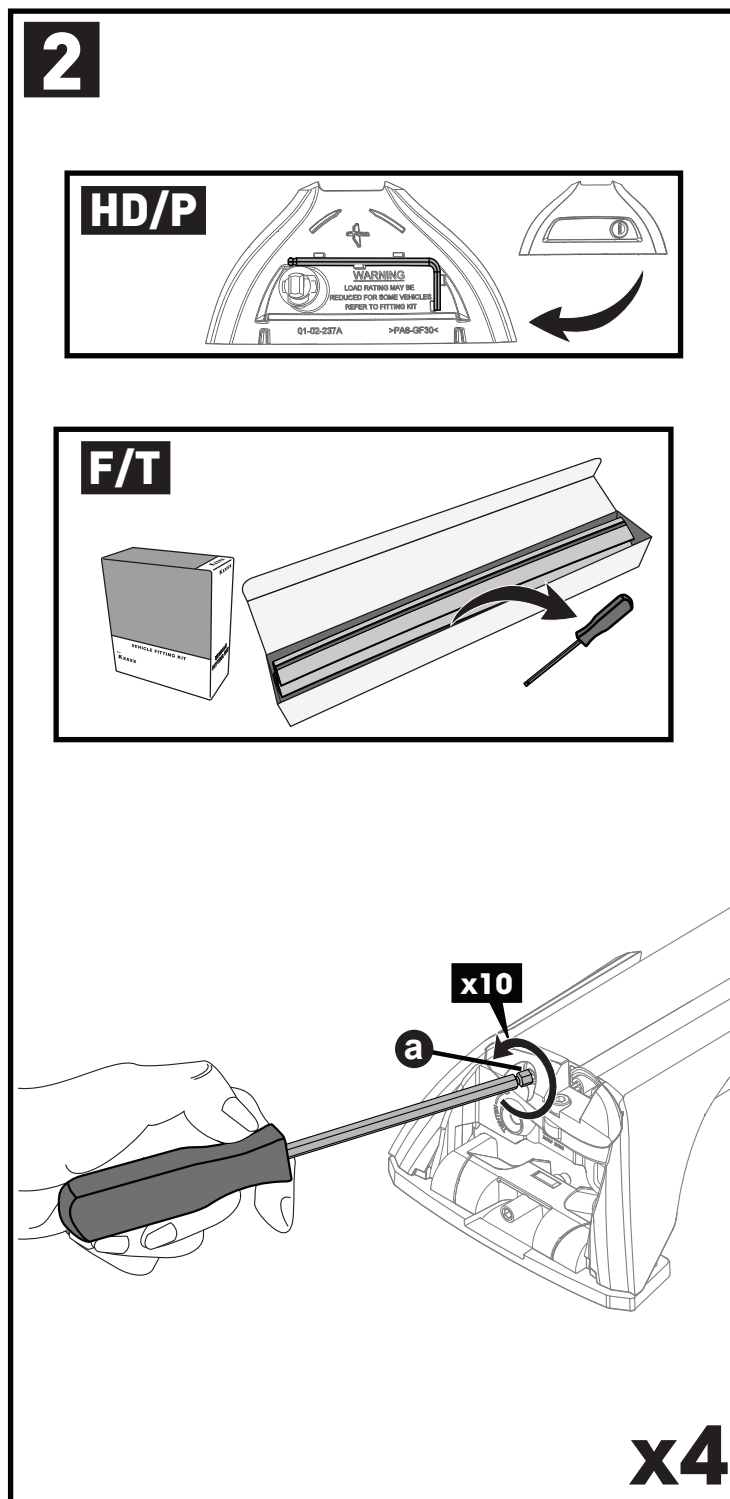
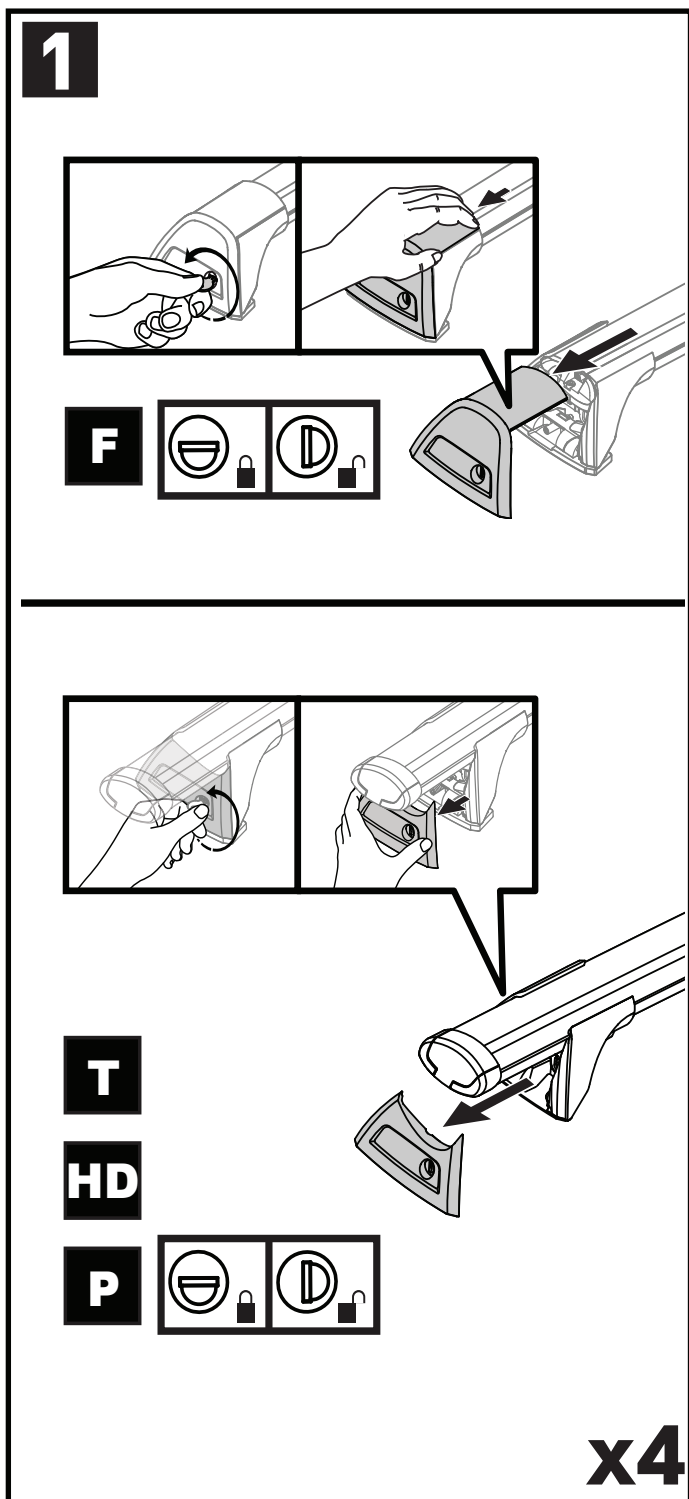
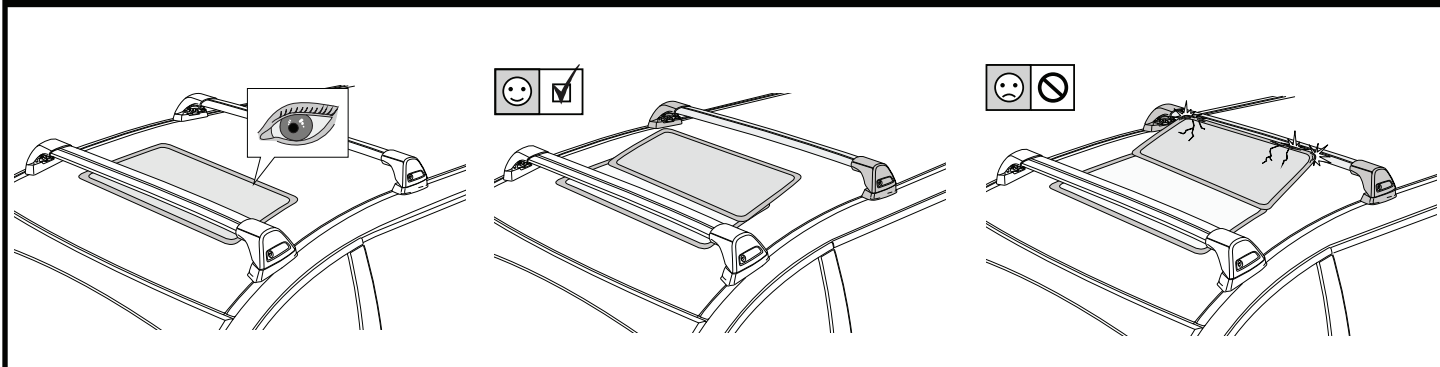


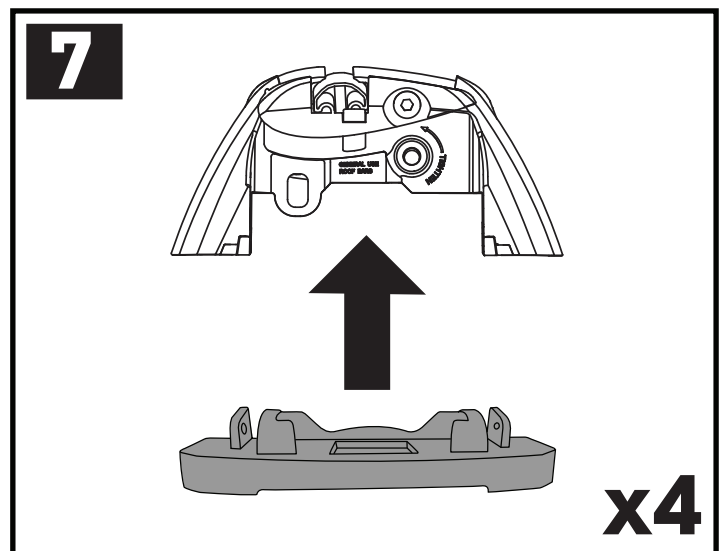
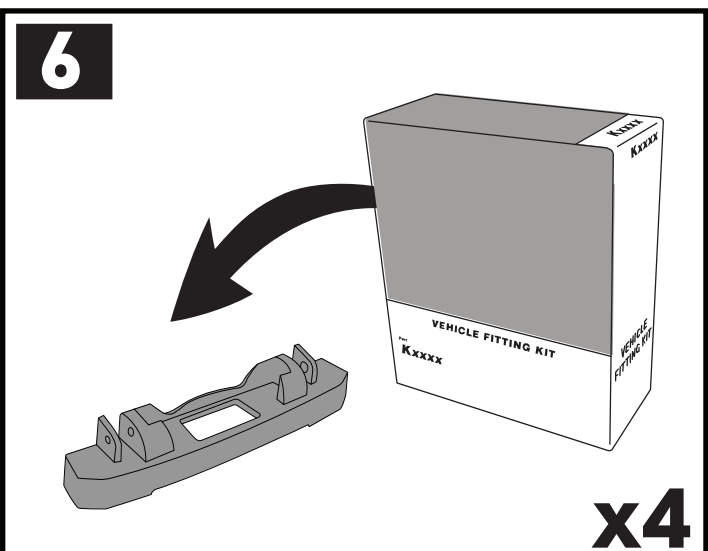
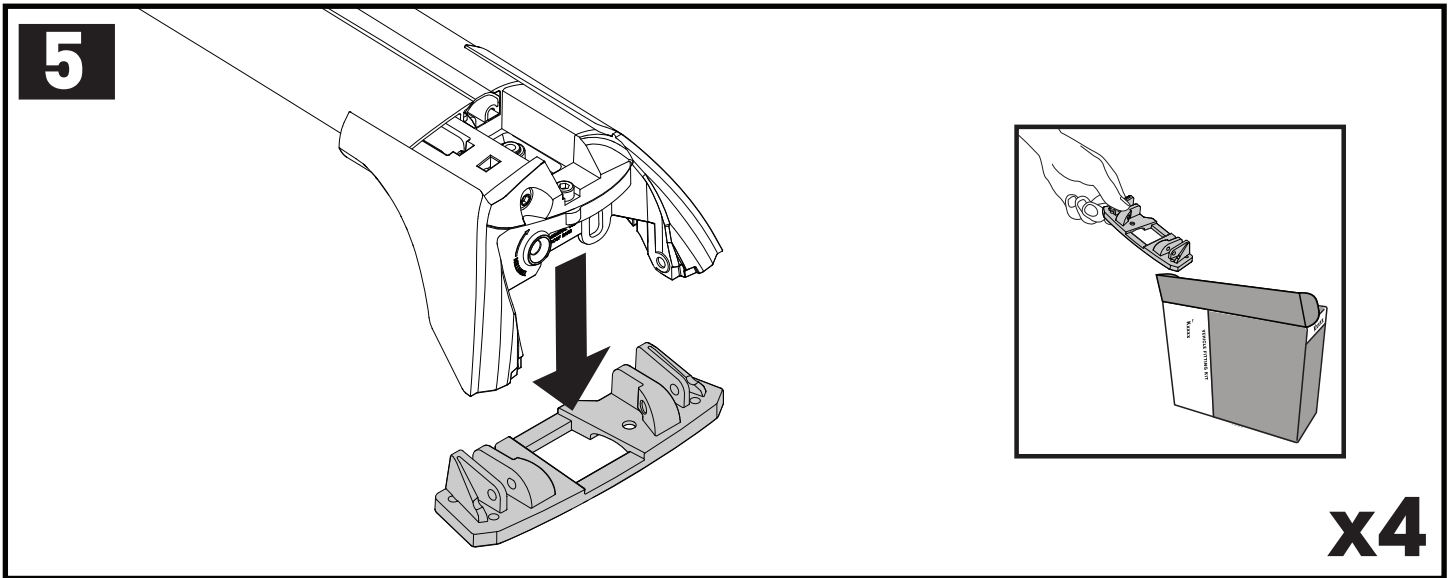
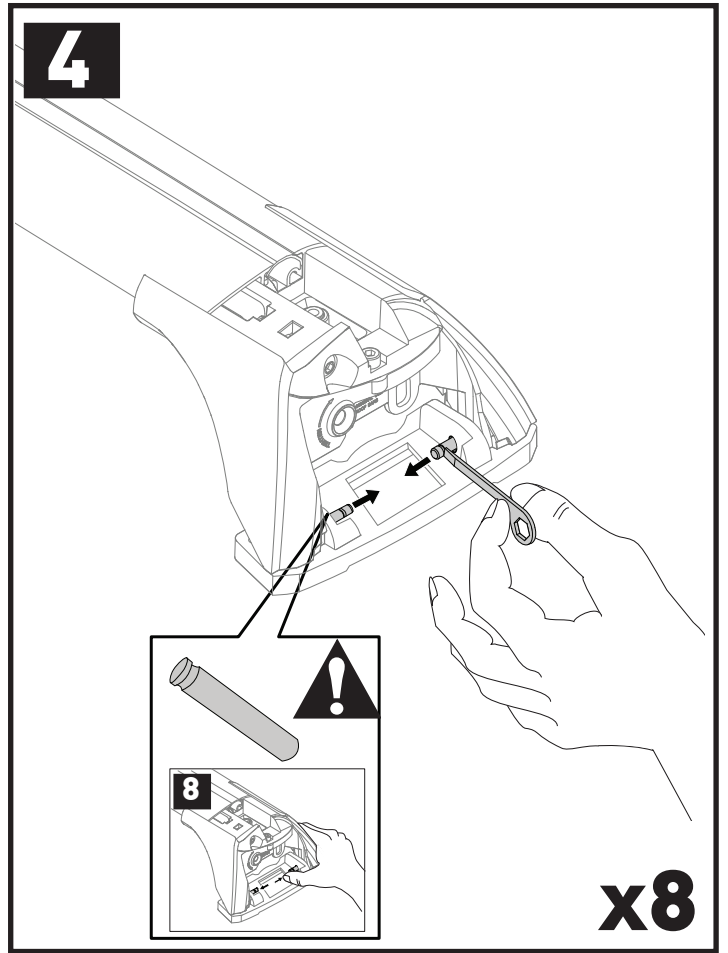
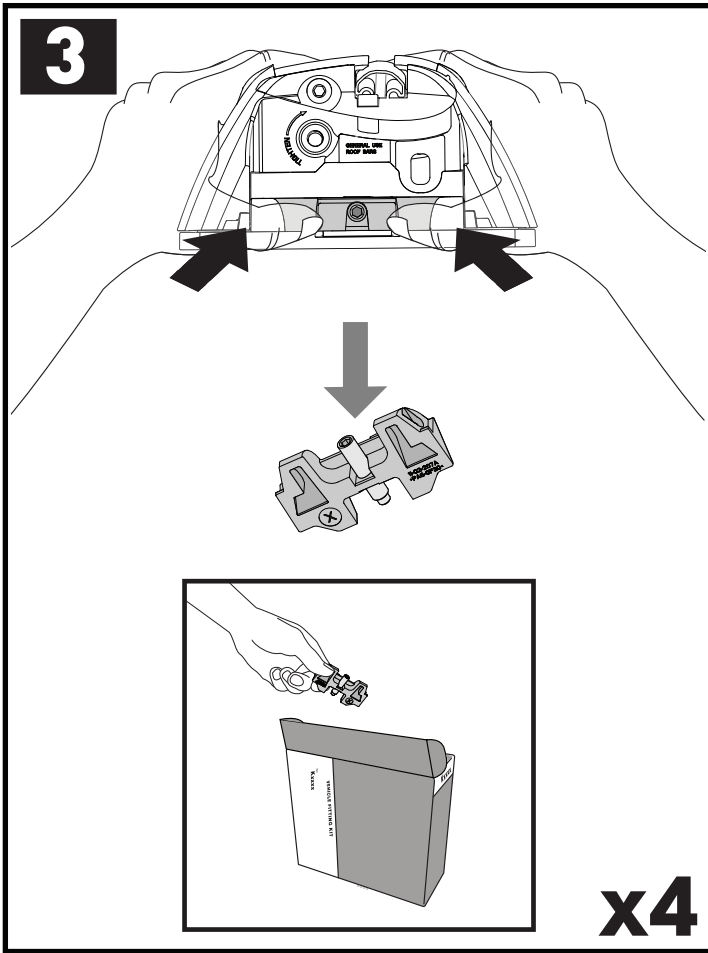
**HD**

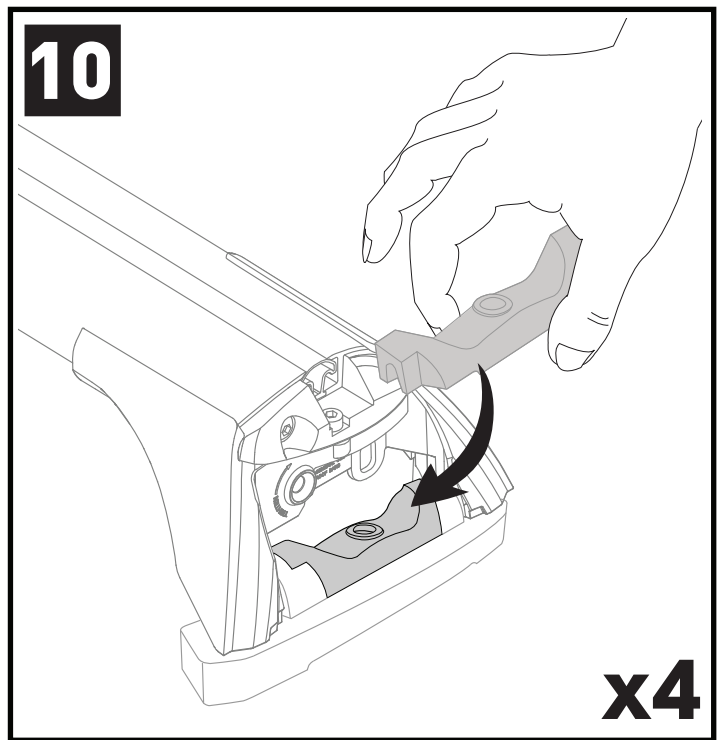
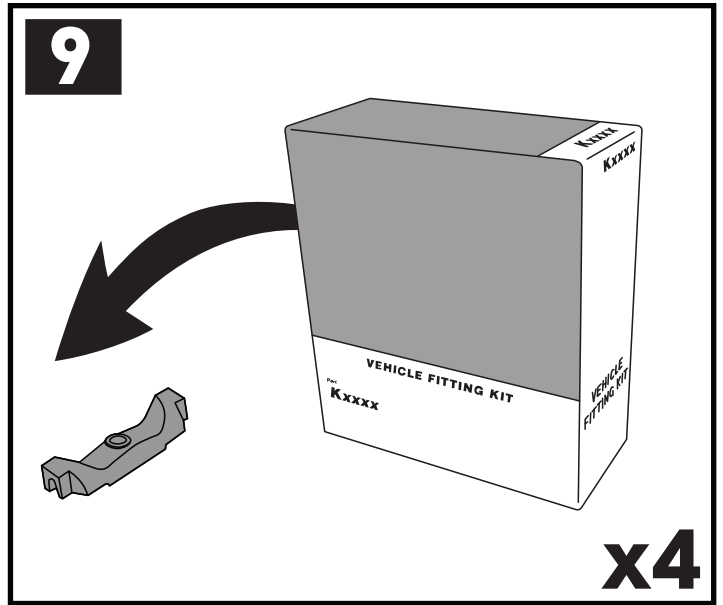
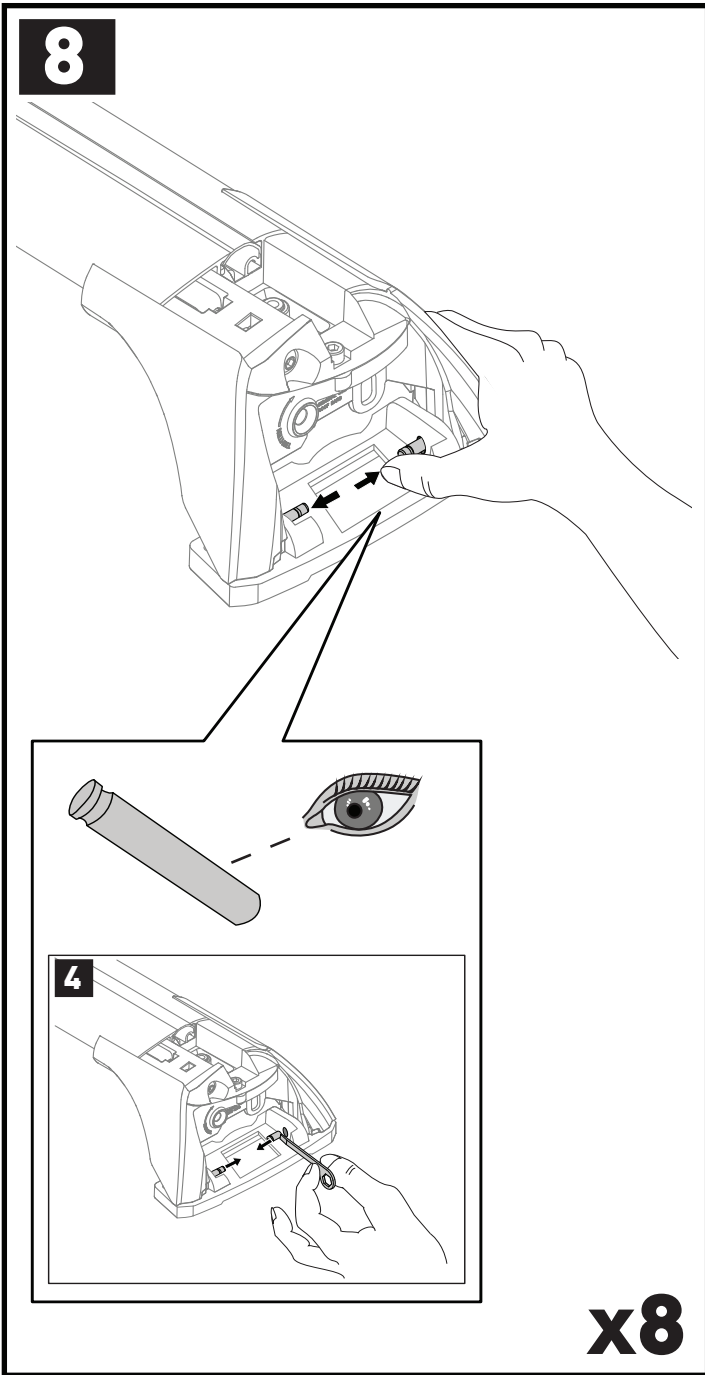


**P**

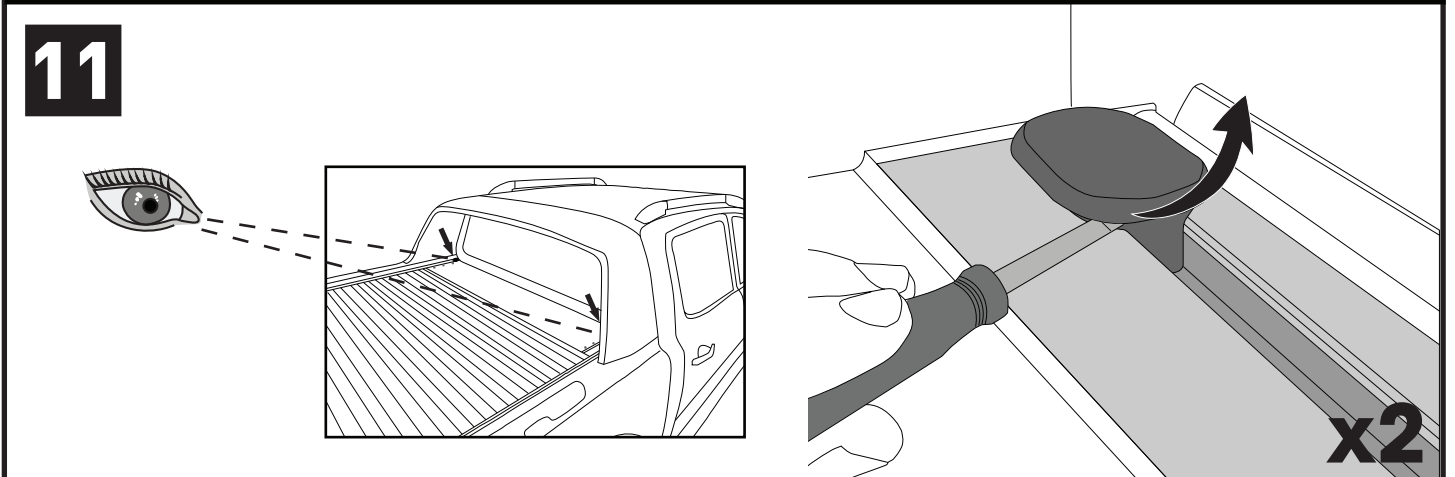




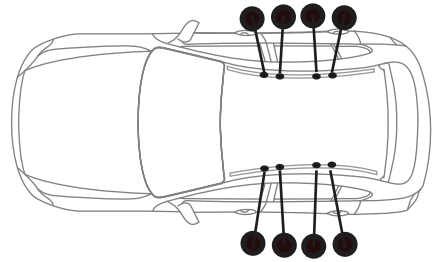
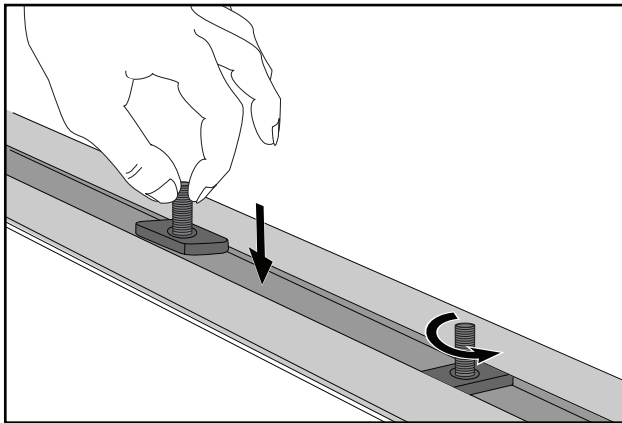




FORD RANGER WILDTRAK ONLY • FORD RANGER WILDTRAK NUR • FORD RANGER WILDTRAK SOLAMENTE  
 FORD RANGER WILDTRAK SEULEMENT • FORD RANGER WILDTRAK BARE • FORD RANGER WILDTRAK SOMENTE  
 FORD RANGER WILDTRAK ТОЛЬКО • SOLO FORD RANGER WILDTRAK • FORD RANGER WILDTRAK TYLKO  
 FORD RANGER WILDTRAK POUZE • FORD RANGER WILDTRAK IBA • FORD RANGER WILDTRAK ALLEEN  
 FORD RANGER WILDTRAK BARA • KUN FORD RANGER WILDTRAK • FORD RANGER WILDTRAK ТИЛЬКИ  
 VAIN FORD RANGER WILDTRAK

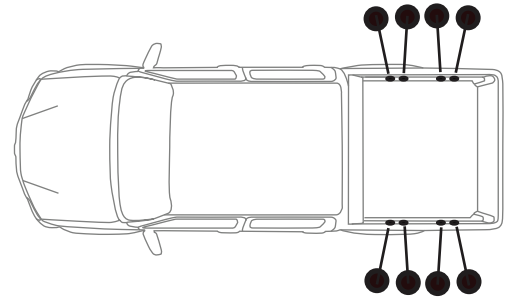
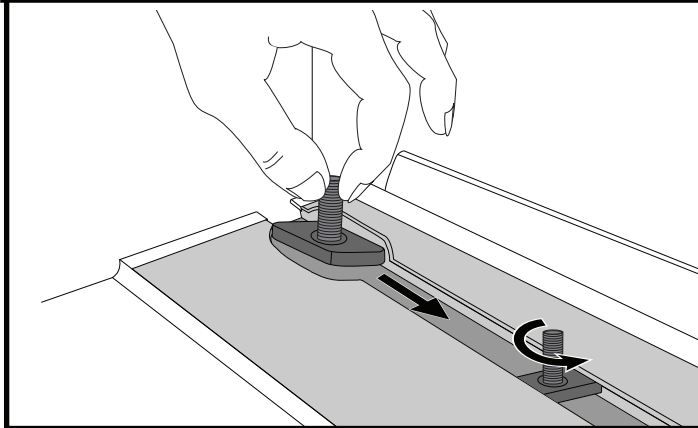


12



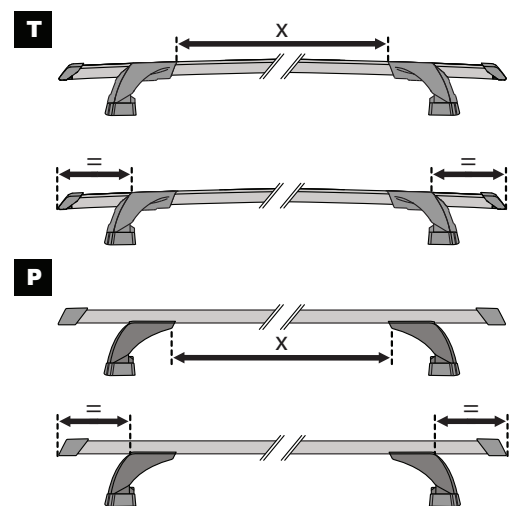
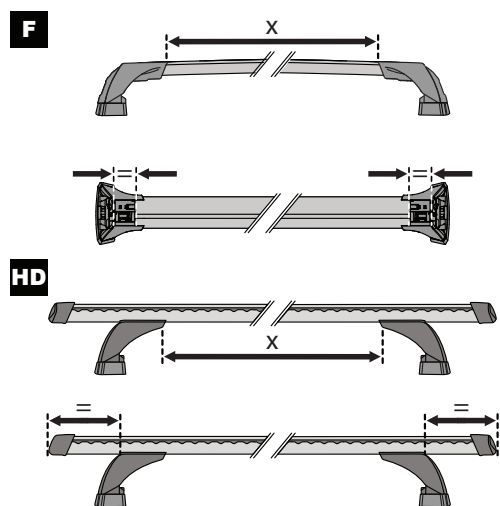
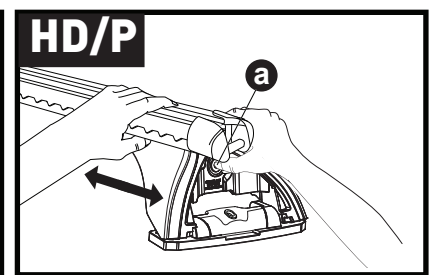
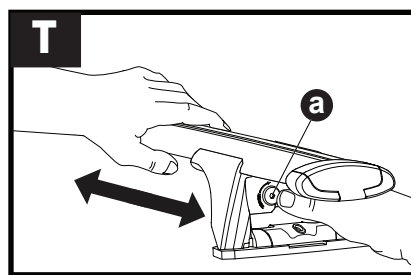
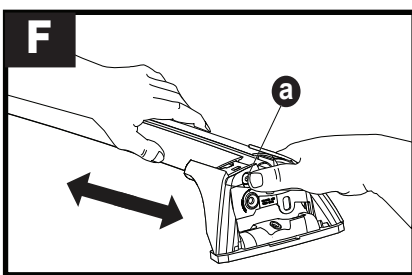
x8

**FORD RANGER WILDTRAK ONLY • FORD RANGER WILDTRAK NUR • FORD RANGER WILDTRAK SOLAMENTE  
 FORD RANGER WILDTRAK SEULEMENT • FORD RANGER WILDTRAK BARE • FORD RANGER WILDTRAK SOMENTE  
 FORD RANGER WILDTRAK ТОЛЬКО • SOLO FORD RANGER WILDTRAK • FORD RANGER WILDTRAK TYLKO  
 FORD RANGER WILDTRAK POUZE • FORD RANGER WILDTRAK IBA • FORD RANGER WILDTRAK ALLEEN  
 FORD RANGER WILDTRAK BARA • KUN FORD RANGER WILDTRAK • FORD RANGER WILDTRAK ТІЛЬКИ  
 VAIN FORD RANGER WILDTRAK**



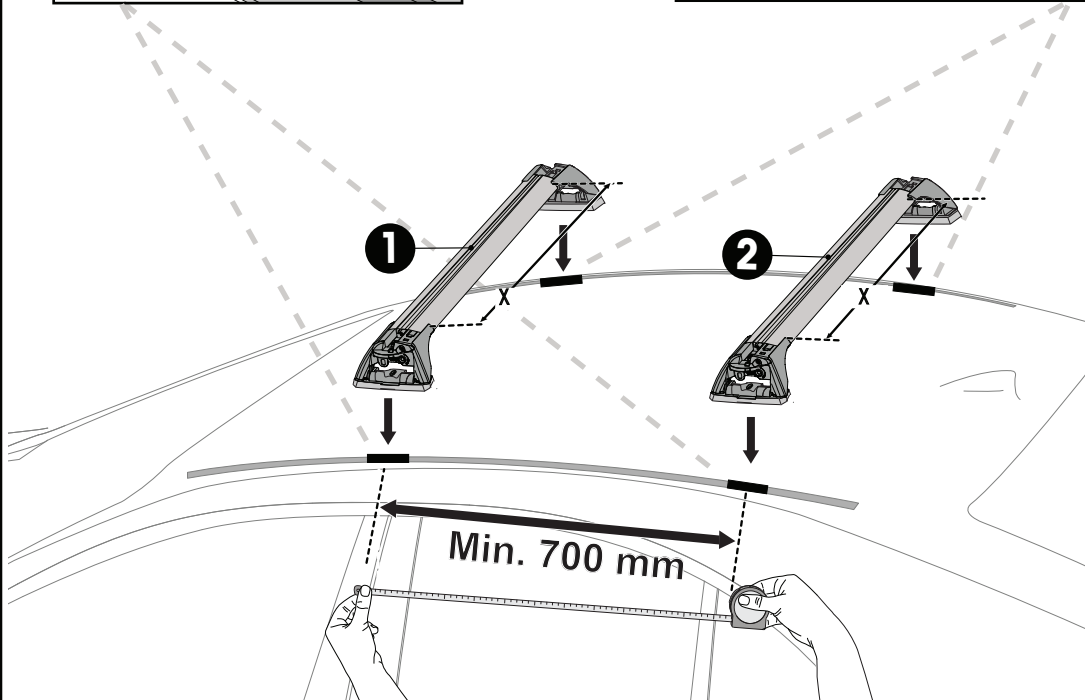
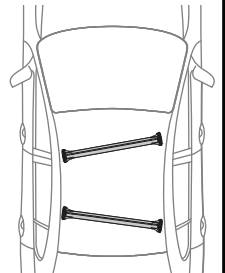
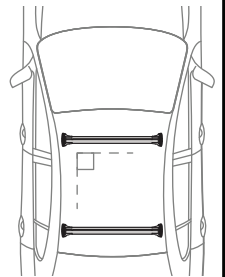
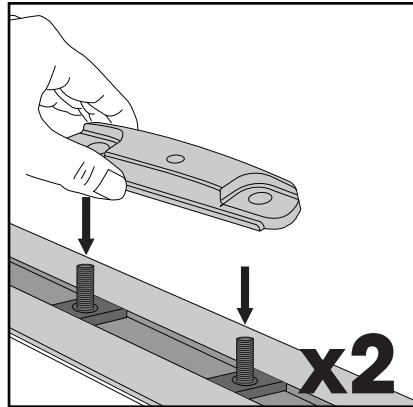
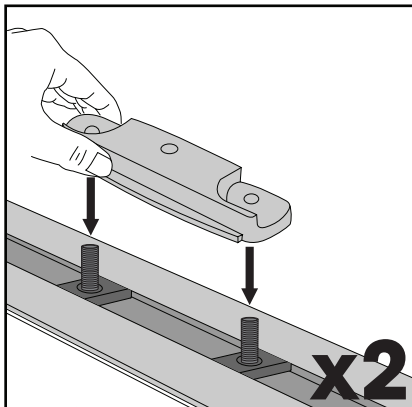
**PLACEMENT • PLATZIERUNG • COLOCACIÓN • MONTAGE • PLASSERING • COLOCAÇÃO • РАЗМЕЩЕНИЕ • MONTAGGIO  
 UMIESZCZENIE • UMÍSTĚNÍ • UMIESTNENIE • PLAATSING • PLACERING • PLACERING • ПОЗМІЩЕННЯ • SIJOITTA**

13



# 13a

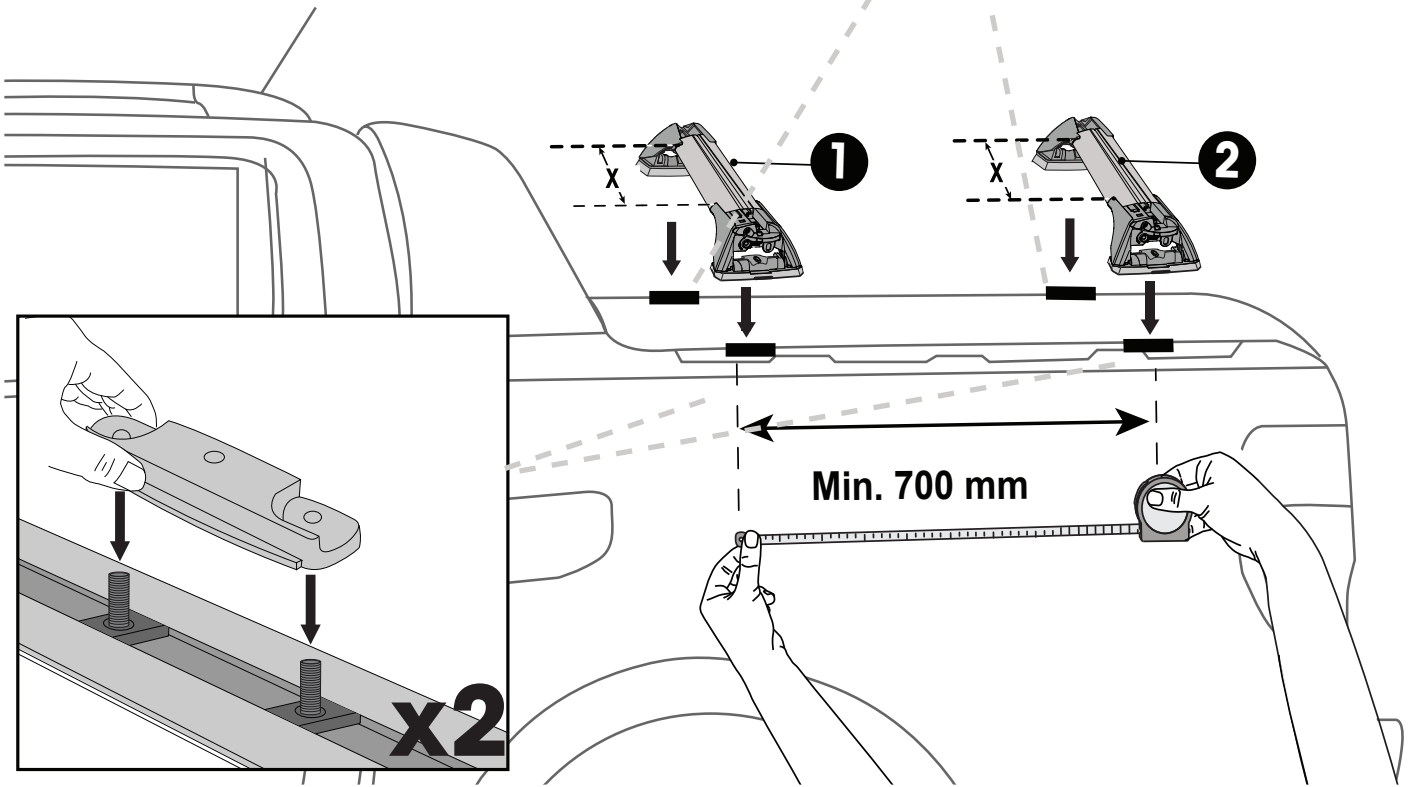
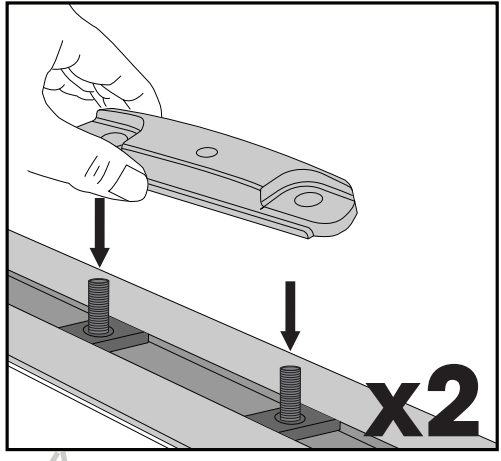
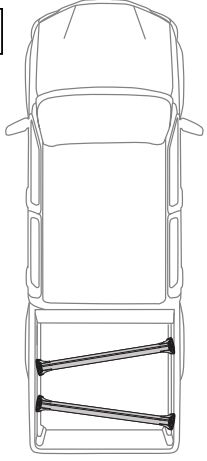
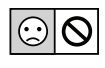
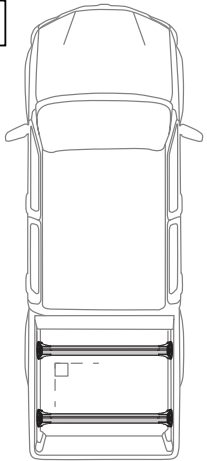
		1	2
Daihatsu Terios, 5dr SUV 97-05	EU	-	-
Daihatsu Terios, 5dr SUV 98-03	ZA	-	-
Daihatsu Terios, 5dr SUV Jul 97-Mar 03	AU	-	-
Ford Escape, 5dr SUV 01-07	EU	X = 772 mm (30 3/8")	X = 772 mm (30 3/8")
Ford Escape, 5dr SUV Feb 01-08	AU	X = 772 mm (30 3/8")	X = 772 mm (30 3/8")
Ford Escape, 5dr SUV Mar 01-08	NZ	X = 772 mm (30 3/8")	X = 772 mm (30 3/8")
Ford Maverick, 5dr SUV 01-07	EU	X = 772 mm (30 3/8")	X = 772 mm (30 3/8")
Nissan Terrano II, 5dr SUV 96-04	EU	X = 784 mm (30 7/8")	X = 784 mm (30 7/8")
Nissan Terrano Regulus, 5dr SUV 96-03	AU, NZ	X = 784 mm (30 7/8")	X = 784 mm (30 7/8")
Porsche Cayenne, 5dr SUV 02-10	AU, EU, NZ, ZA	X = 770 mm (30 5/16")	X = 770 mm (30 5/16")
Volkswagen Touareg, 5dr SUV 02-09	EU	X = 770 mm (30 5/16")	X = 770 mm (30 5/16")
Volkswagen Touareg, 5dr SUV 03-09	ZA	X = 770 mm (30 5/16")	X = 770 mm (30 5/16")
Volkswagen Touareg, 5dr SUV 03-10	AU, NZ	X = 770 mm (30 5/16")	X = 770 mm (30 5/16")







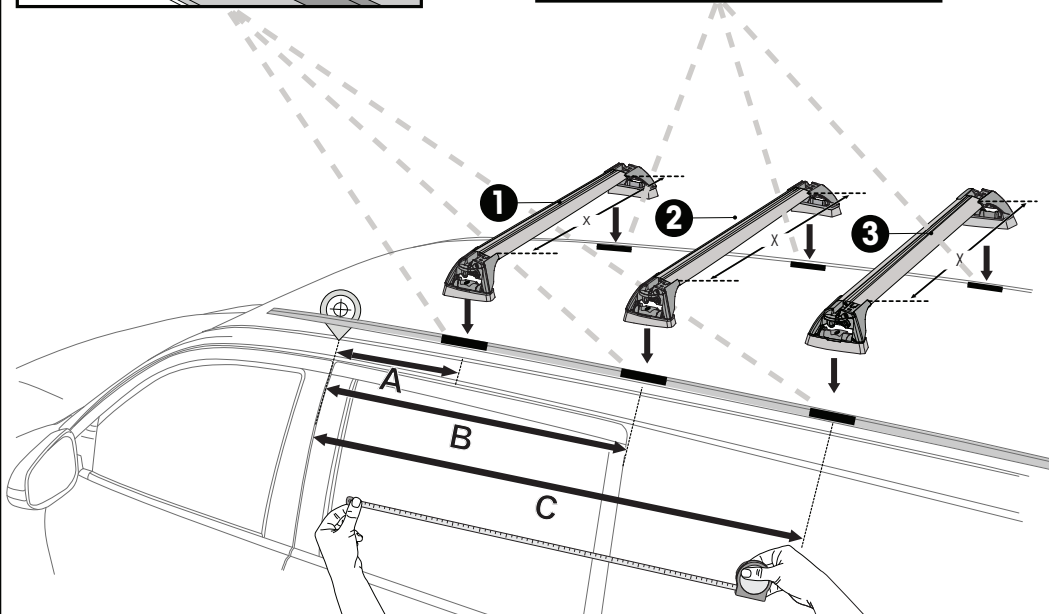
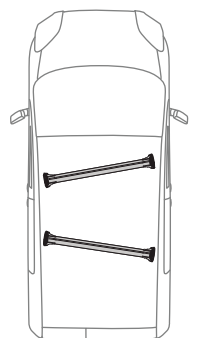
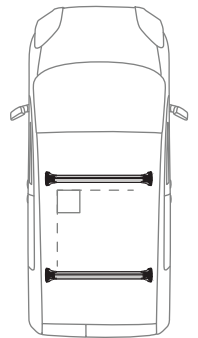
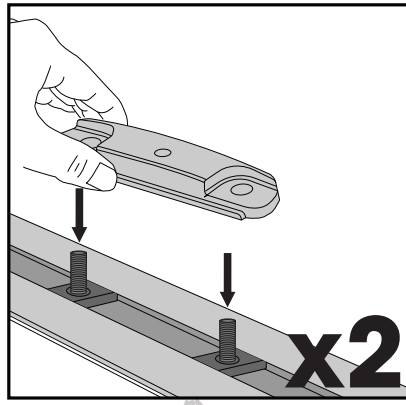
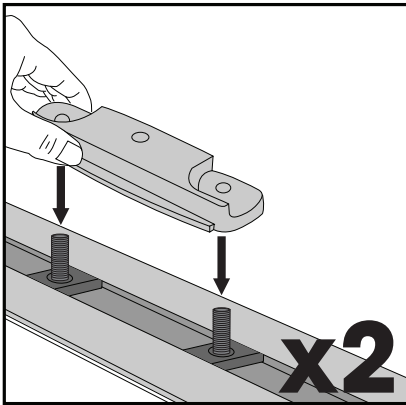
# 13b

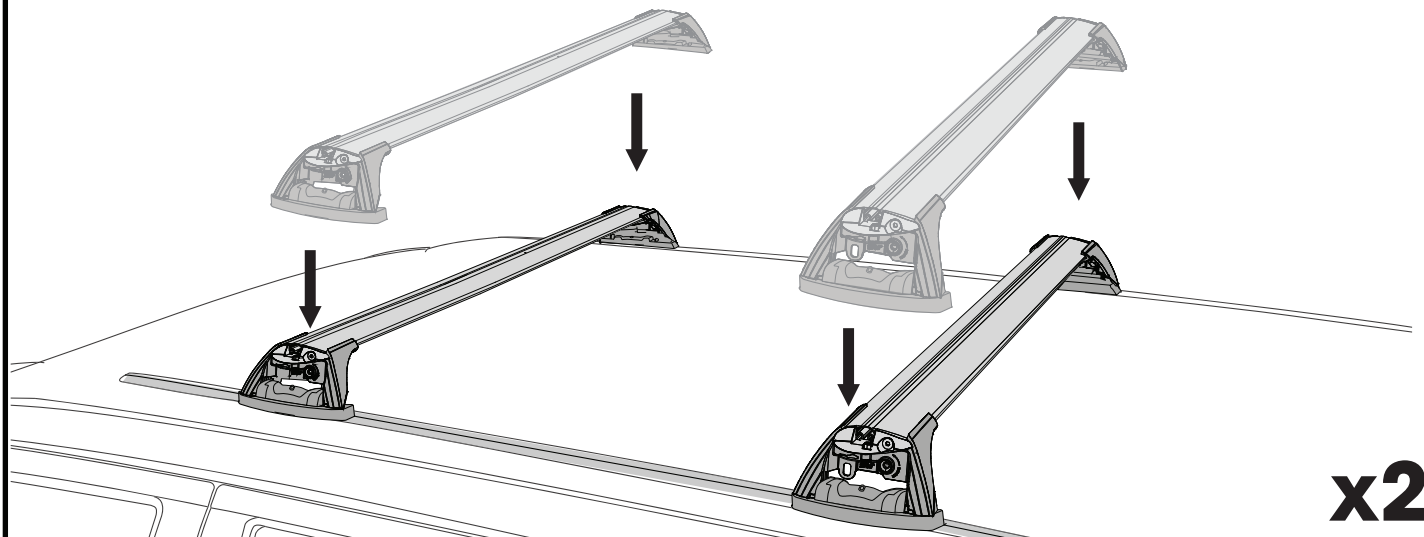
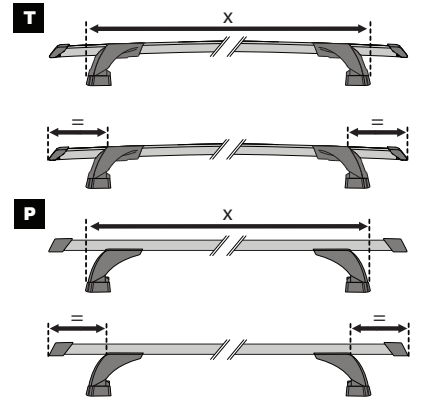
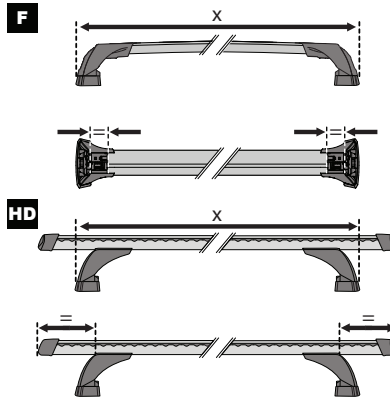
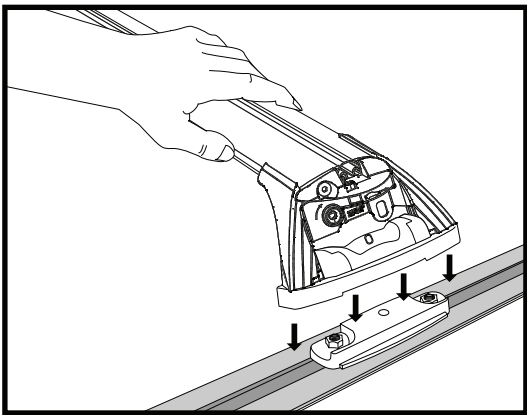
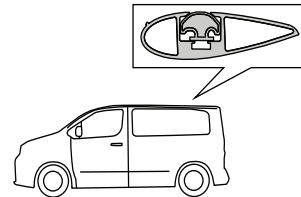
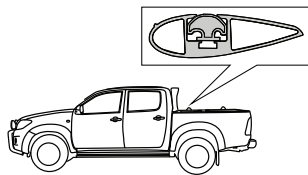
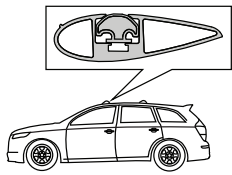
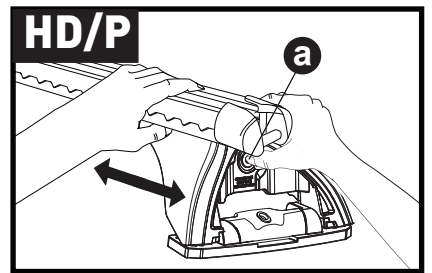
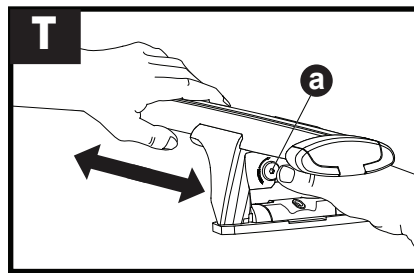
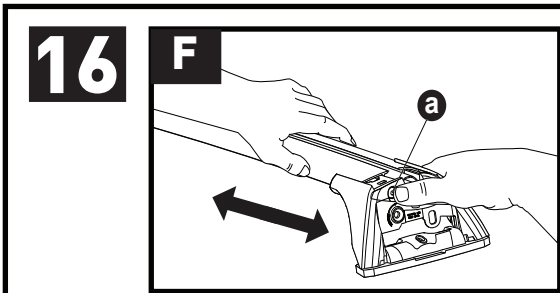
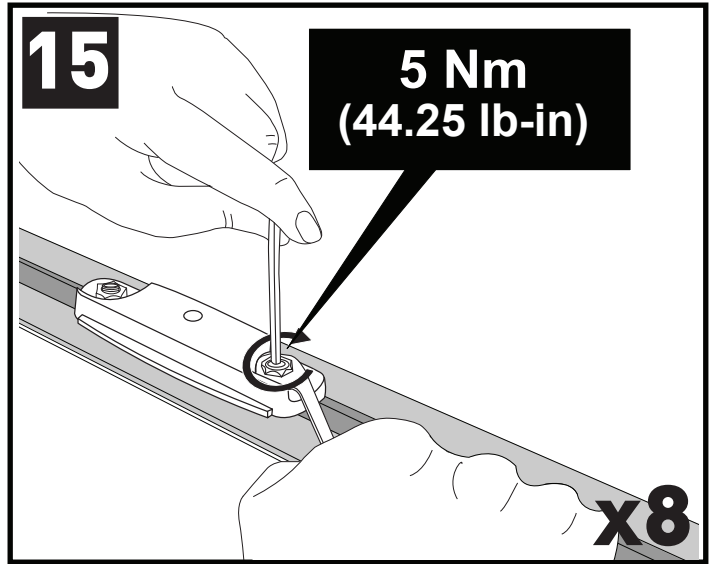
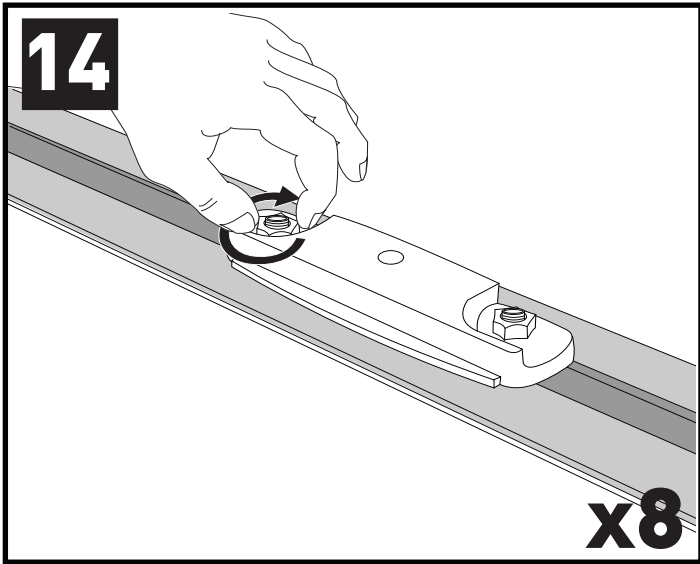
		1	2
Ford Ranger Wildtrak (Rear Cargo), 4dr Ute 12+	AU, CN, EU, NZ, ZA	X = 1140 mm (44 7/8")	X = 1140 mm (44 7/8")

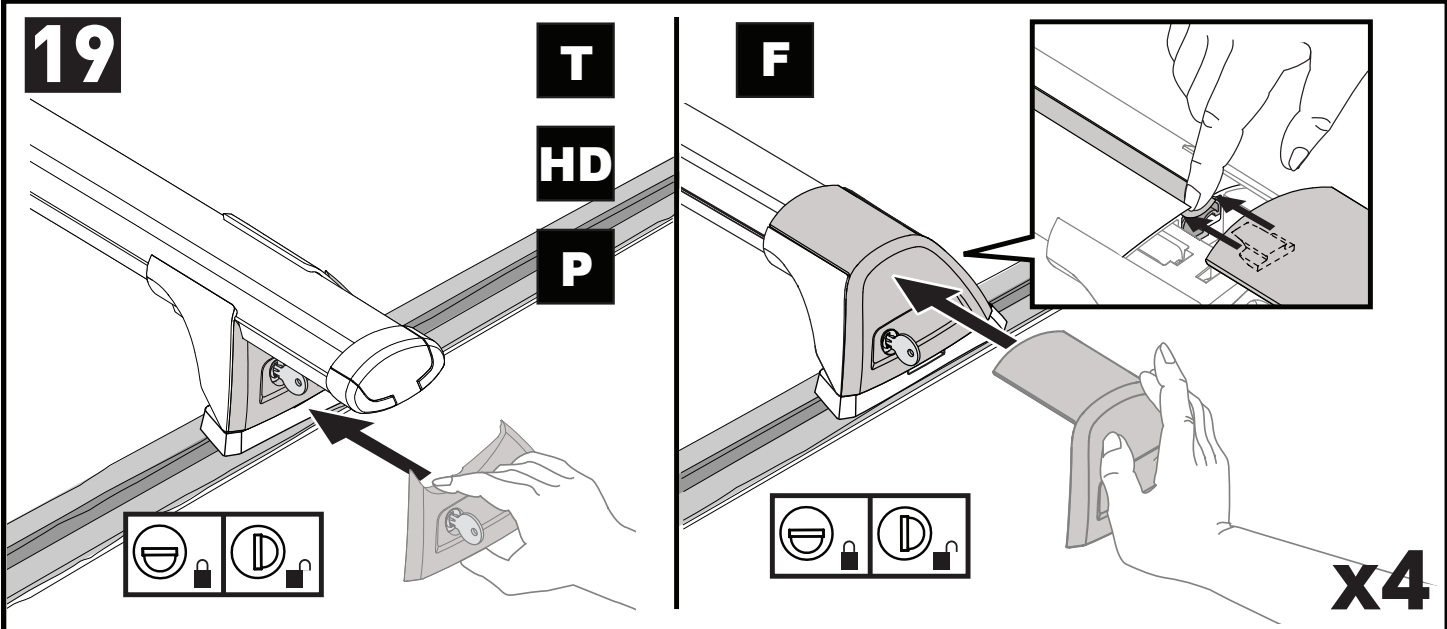
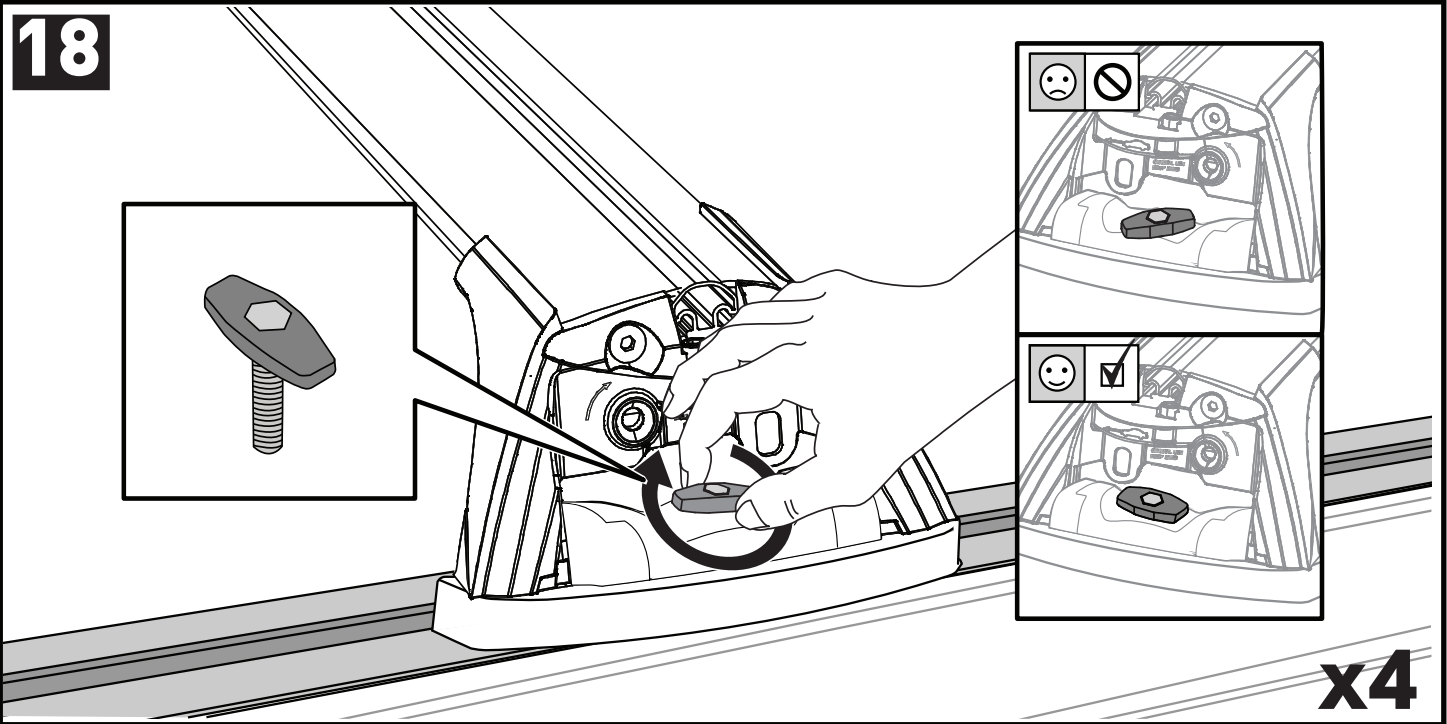
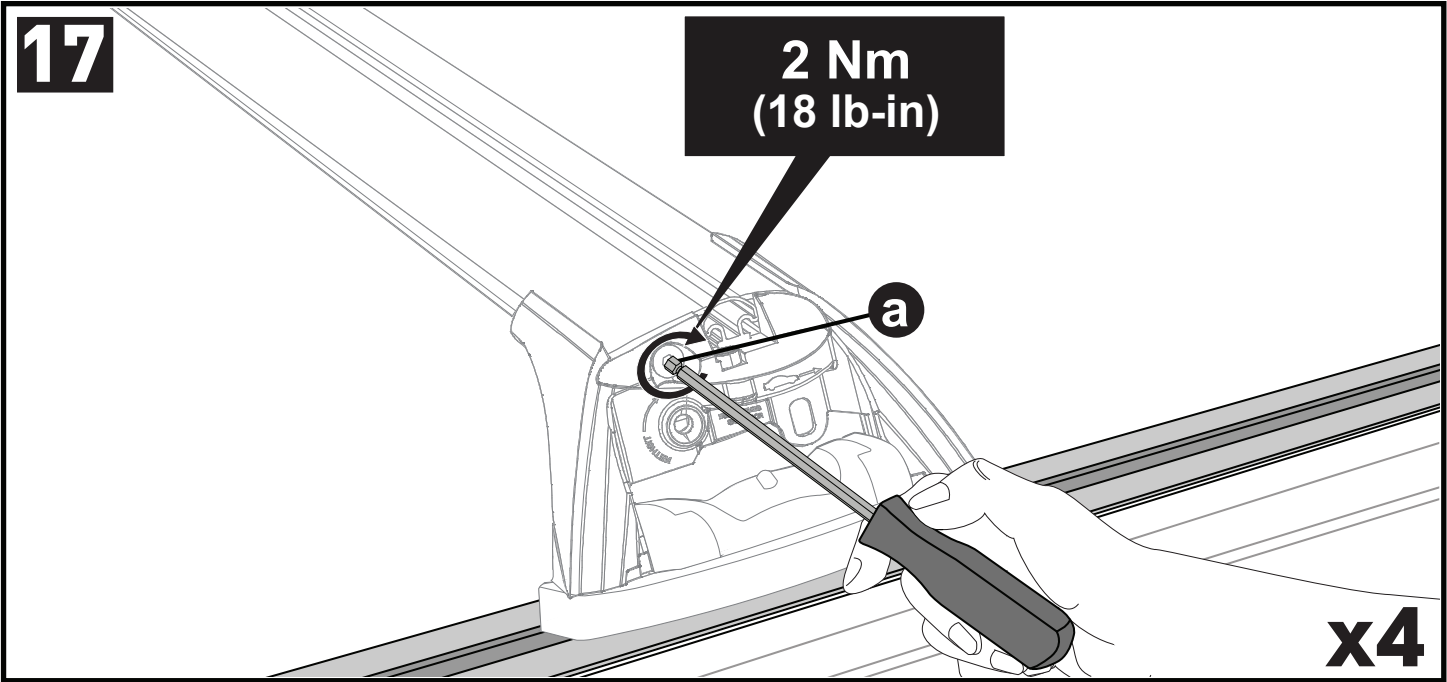


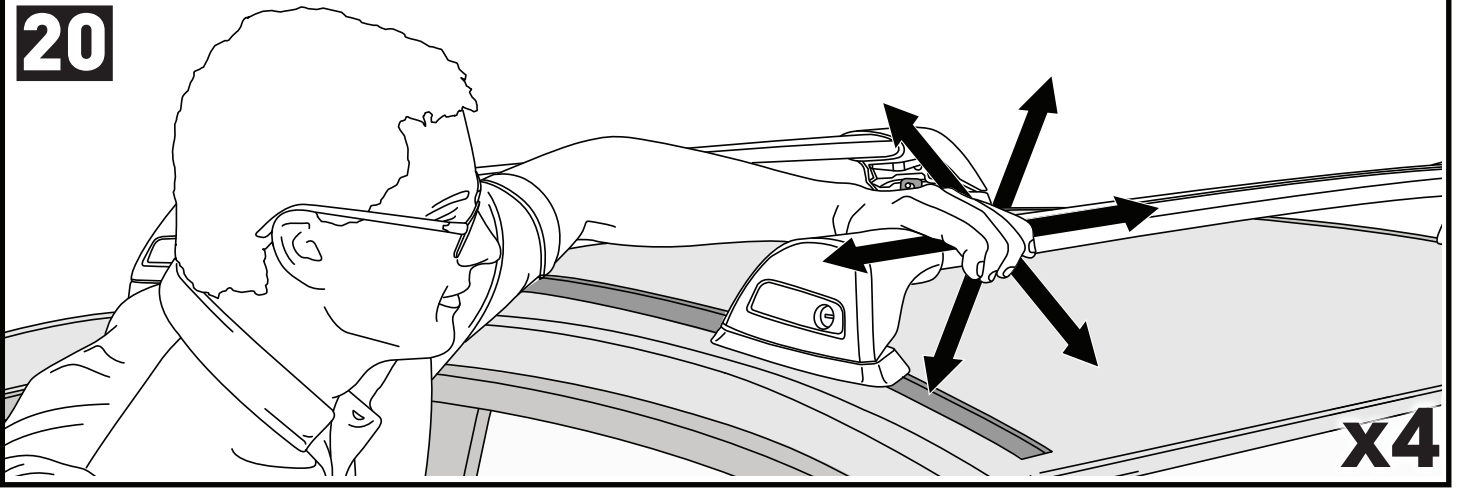
# 13c

		1	2	3	A	B	C
Ford Explorer, 5dr SUV 95-01	AU, CN, EU, NZ	X = 798 mm (31 <sup>7/16</sup> "*)	X = 798 mm (31 <sup>7/16</sup> "*)		A = 120 mm (4 <sup>3/4</sup> "*)	B = 1540 mm (60 <sup>5/8</sup> "*)	
Great Wall X200, 5dr SUV Oct 09+	AU	X = 825 mm (32 <sup>1/2</sup> "*)	X = 780 mm (30 <sup>11/16</sup> "*)		A = 200 mm (7 <sup>7/8</sup> "*)	B = 1000 mm (39 <sup>3/8</sup> "*)	
Great Wall X200, 5dr SUV Nov 09+	NZ	X = 825 mm (32 <sup>1/2</sup> "*)	X = 780 mm (30 <sup>11/16</sup> "*)		A = 200 mm (7 <sup>7/8</sup> "*)	B = 1000 mm (39 <sup>3/8</sup> "*)	
Great Wall X240, 5dr SUV Oct 09+	AU	X = 825 mm (32 <sup>1/2</sup> "*)	X = 780 mm (30 <sup>11/16</sup> "*)		A = 200 mm (7 <sup>7/8</sup> "*)	B = 1000 mm (39 <sup>3/8</sup> "*)	
Great Wall X240, 5dr SUV Nov 09+	NZ	X = 825 mm (32 <sup>1/2</sup> "*)	X = 780 mm (30 <sup>11/16</sup> "*)		A = 200 mm (7 <sup>7/8</sup> "*)	B = 1000 mm (39 <sup>3/8</sup> "*)	
Land Rover Discovery, 5dr SUV 04-09	EU	X = 935 mm (36 <sup>13/16</sup> "*)	X = 875 mm (34 <sup>7/16</sup> "*)		A = 220 mm (8 <sup>11/16</sup> "*)	B = 1640 mm (64 <sup>9/16</sup> "*)	
Land Rover Discovery 3, 5dr SUV Nov 04-09	AU, NZ	X = 935 mm (36 <sup>13/16</sup> "*)	X = 875 mm (34 <sup>7/16</sup> "*)		A = 220 mm (8 <sup>11/16</sup> "*)	B = 1640 mm (64 <sup>9/16</sup> "*)	
Land Rover Discovery 4, 5dr SUV 09-Mar 17	AU, EU, NZ, ZA	X = 935 mm (36 <sup>13/16</sup> "*)	X = 875 mm (34 <sup>7/16</sup> "*)		A = 220 mm (8 <sup>11/16</sup> "*)	B = 1640 mm (64 <sup>9/16</sup> "*)	
Land Rover Discovery 4, 5dr SUV 10-16	CN	X = 935 mm (36 <sup>13/16</sup> "*)	X = 875 mm (34 <sup>7/16</sup> "*)		A = 220 mm (8 <sup>11/16</sup> "*)	B = 1640 mm (64 <sup>9/16</sup> "*)	
LDV G10, 4dr Van 15+	AU, CN, EU, NZ	X = 1022 mm (40 <sup>1/4</sup> "*)	X = 1010 mm (39 <sup>3/4</sup> "*)		A = 170 mm (6 <sup>11/16</sup> "*)	B = 970 mm (38 <sup>3/16</sup> "*)	
LDV G10, 5dr MPV 15+	AU, CN, EU, NZ	X = 1022 mm (40 <sup>1/4</sup> "*)	X = 1010 mm (39 <sup>3/4</sup> "*)		A = 170 mm (6 <sup>11/16</sup> "*)	B = 970 mm (38 <sup>3/16</sup> "*)	
Suzuki APV, 5dr MPV 07+	AU, NZ	X = 650 mm (25 <sup>9/16</sup> "*)	X = 650 mm (25 <sup>9/16</sup> "*)		A = 200 mm (7 <sup>7/8</sup> "*)	B = 500 mm (19 <sup>11/16</sup> "*)	
Toyota 4 Runner, 5dr SUV 96-03	CN, EU	X = 735 mm (28 <sup>15/16</sup> "*)	X = 735 mm (28 <sup>15/16</sup> "*)		A = 200 mm (7 <sup>7/8</sup> "*)	B = 900 mm (35 <sup>3/16</sup> "*)	
Volkswagen Caravelle T5, 5dr MPV 03-Dec 15 (2 Bar)	EU	X = 1082 mm (42 <sup>5/8</sup> "*)	X = 1082 mm (42 <sup>5/8</sup> "*)		A = 300 mm (11 <sup>13/16</sup> "*)	B = 1000 mm (39 <sup>3/8</sup> "*)	
Volkswagen Caravelle T5, 5dr MPV 03-Dec 15 (3 Bar)	EU	X = 1082 mm (42 <sup>5/8</sup> "*)	X = 1082 mm (42 <sup>5/8</sup> "*)	X = 1082 mm (42 <sup>5/8</sup> "*)	A = 300 mm (11 <sup>13/16</sup> "*)	B = 1000 mm (39 <sup>3/8</sup> "*)	C = 1700 mm (66 <sup>7/8</sup> "*)
Volkswagen Multivan T5, 5dr MPV 03-Dec 15 (2 Bar)	AU, EU, NZ, ZA	X = 1082 mm (42 <sup>5/8</sup> "*)	X = 1082 mm (42 <sup>5/8</sup> "*)		A = 300 mm (11 <sup>13/16</sup> "*)	B = 1000 mm (39 <sup>3/8</sup> "*)	
Volkswagen Multivan T5, 5dr MPV 03-Dec 15 (3 Bar)	AU, EU, NZ, ZA	X = 1082 mm (42 <sup>5/8</sup> "*)	X = 1082 mm (42 <sup>5/8</sup> "*)	X = 1082 mm (42 <sup>5/8</sup> "*)	A = 300 mm (11 <sup>13/16</sup> "*)	B = 1000 mm (39 <sup>3/8</sup> "*)	C = 1700 mm (66 <sup>7/8</sup> "*)
Volkswagen Multivan T6 LWB, 5dr MPV 15+	EU, ZA	X = 1080 mm (42 <sup>1/2</sup> "*)	X = 1080 mm (42 <sup>1/2</sup> "*)		A = 300 mm (11 <sup>13/16</sup> "*)	B = 1050 mm (41 <sup>5/16</sup> "*)	
Volkswagen Multivan T6 LWB, 5dr MPV Dec 15+	AU, NZ	X = 1080 mm (42 <sup>1/2</sup> "*)	X = 1080 mm (42 <sup>1/2</sup> "*)		A = 300 mm (11 <sup>13/16</sup> "*)	B = 1050 mm (41 <sup>5/16</sup> "*)	



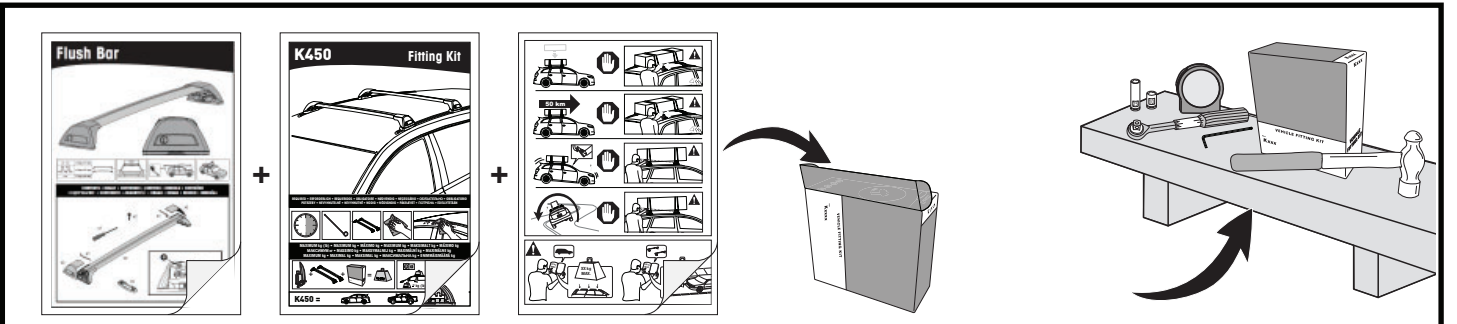
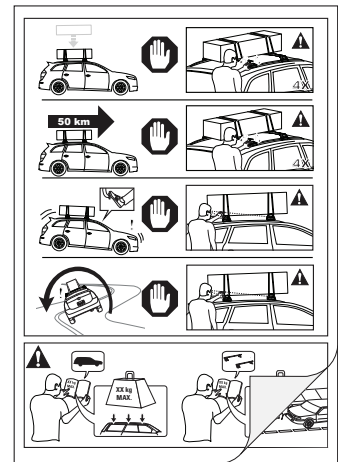




**20**

**ATTENTION • ACHTUNG • ATENCIÓN • ATTENTION • OPPMERKSOMHET • ATENÇÃO • ВНИМАНИЕ • ATTENZIONE  
 UWAGA • UPOZORNĚNÍ • UPOZORNENIE • LET OP • UPPMÄRKSAMHET • OPMÆRKSOMHED • УВАГА • HUOMIO**

- EN** Please read safety and warranty booklet included with this product prior to use. For more information visit your local dealer.
- DE** Bitte lesen und beachten Sie die beiliegende Montageanleitung, Sicherheitshinweise und Garantiebedingungen bevor Sie das Produkt montieren/benutzen. Für weitere Informationen kontaktieren Sie bitte Ihren Händler.
- ES** Por favor, lea folleto de seguridad y garantía que se incluye con este producto antes de su uso. Para obtener más información, visite a su distribuidor local.
- FR** Veuillez lire attentivement le manuel de sécurité et de garantie avant utilisation. Pour plus d'informations, visitez votre concessionnaire local.
- NO** Vennligst les hefte om sikkerhet og garanti som er vedlagt dette produkt før det tas i bruk. For mer informasjon ta kontakt med din forhandler.
- PT** Por favor leia o manual de segurança e garantia incluído, antes de utilizar o produto. Para mais informações visite o seu revendedor local.
- RU** Пожалуйста, ознакомьтесь с инструкцией перед тем, как использовать товар. Для получения более подробной информации обратитесь к местному дилеру.
- IT** Si prega di leggere il libretto di sicurezza e garanzia incluso nel prodotto prima dell'uso. Per maggiori informazioni visita il rivenditore locale.
- PL** Proszę zapoznać się z warunkami gwarancji i bezpieczeństwa przed użyciem produktu. W celu uzyskania dodatkowych informacji proszę kontaktować się z najbliższym autoryzowanym punktem sprzedaży.
- CS** Před použitím si prosím přečtěte příložené informace o bezpečnosti a záručních podmínkách. Pro více informací navštivte nejbližšího dealera.
- SK** Pred použitím si prosím prečítajte priložené informácie o bezpečnosti a záručných podmienkach. Pre viac informácií navštívte najbližšieho dilaera.
- NL** A.U.B. bijgesloten garantie- en veiligheidsinstructies grondig lezen voor gebruik van dit product. Voor meer informatie graag contact opnemen met uw dealer.
- SV** Var snäll och läs igenom säkerhets- och garantihäftet som medföljer produkten före användning. För mer information besök din lokala återförsäljare.
- DK** Læs venligst sikkerheds- og garantibogholderen, der følger med dette produkt, inden brug. For mere information besøg din lokale forhandler.
- UA** Будь ласка, ознайомтеся з брошурою безпеки та гарантії, включені до цього продукту перед використанням. Для отримання додаткової інформації відвідайте місцевого дилера.
- FI** Lue tämän tuotteen mukana toimitetut turvallisuus- ja takuu huoltopalvelut ennen käyttöä. Lisätietoja saat paikalliselta jälleenmyyjältä.



Yakima Australia Pty Ltd  
 17 Hinkler Court, Brendale  
 QLD 4500, Australia  
 1800 143 548  
[www.prorack.com.au](http://www.prorack.com.au)  
[www.whispbar.com.au](http://www.whispbar.com.au)

Yakima Products, Inc.  
 4101 Kruse Way  
 Lake Oswego, OR. 97035 USA  
 888 925 4621  
[www.yakima.com](http://www.yakima.com)

WORKS WITH:

